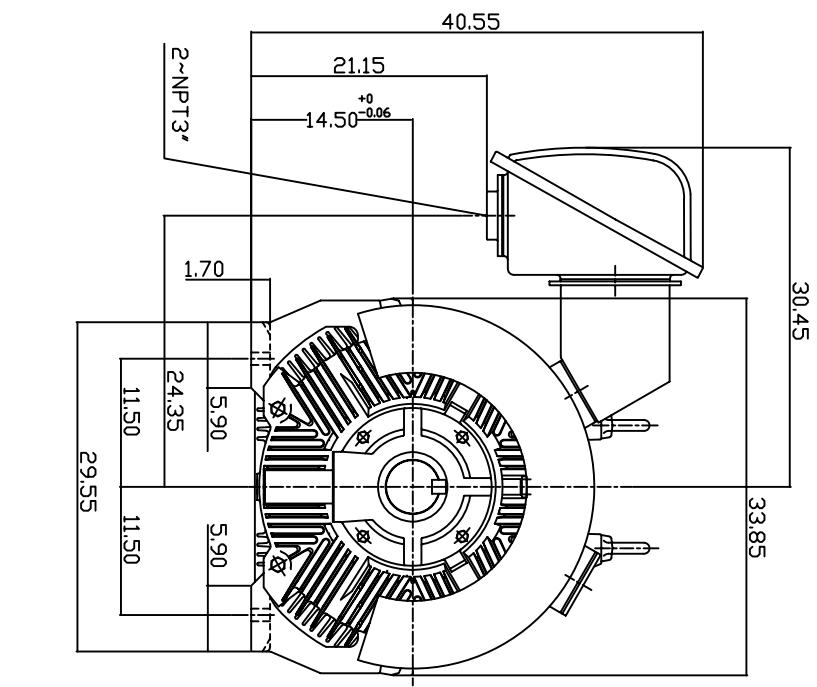
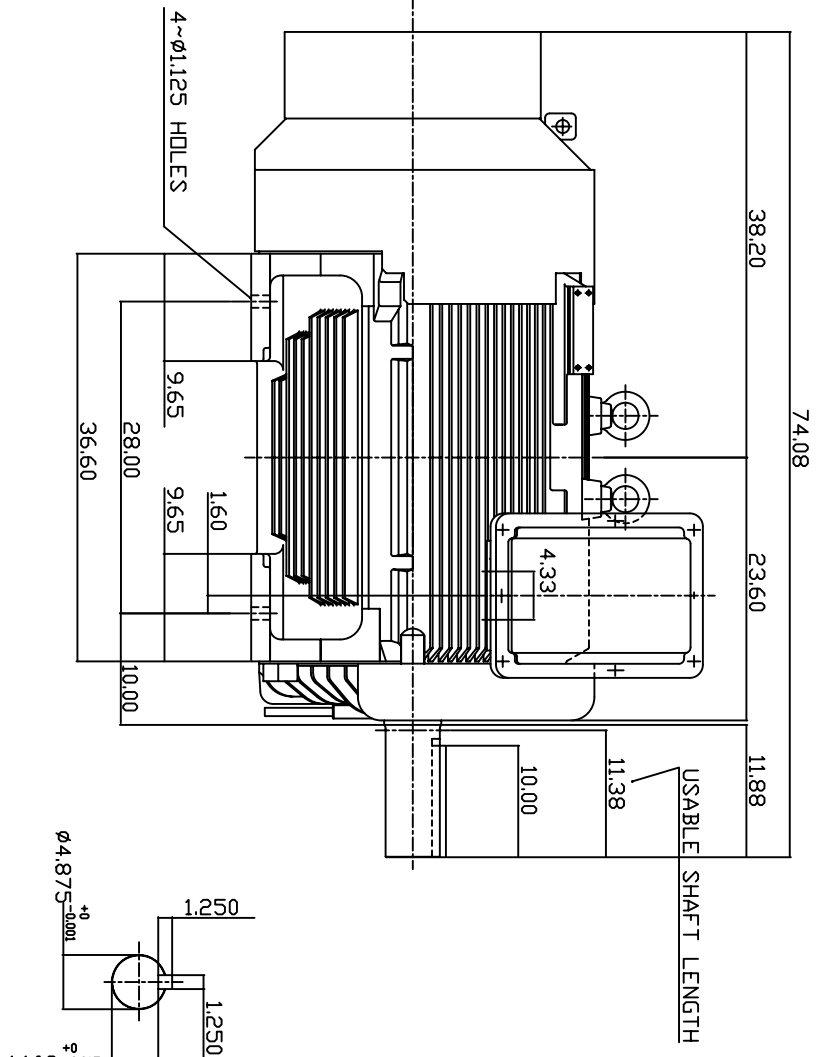


TYPE	OUTPUT		POLE	TIME RATING	VOLTAGE	Hz	SYN SPEED R.P.M
	HP.	KW.					
AEH8N	500	373	6	CONT.	380	50	1000

TOTALLY ENCLOSED FAN-COOLED TYPE, SQUIRREL-CAGE ROTOR



- NOTE:
1. DIMENSIONS IN INCH.
 2. FRAME NO. 5808C
 3. F CLASS INSULATION, S.F.1.0
 4. FDR BELT DRIVE APPLICATIONS
 5. BEARING SIZE: DRIVE END: NU326
NON-DRIVE END: 6322
 6. MOTOR APPROX. WEIGHT: 5600 LBS

TW-66C

DWN.	W.LLIN	MAR-04-2003
CHKD.	W.LLIN	MAR-04-2003
APPD.	C.WANG	MAR-04-2003

DATE	APRIL 26, 2004	OUTLINE DIMENSIONS
CATALOG NO.	EPS006R-50	
3-PHASE INDUCTION MOTOR		DWG NO. 3A040T184-3
TECO Westinghouse		REV: 00