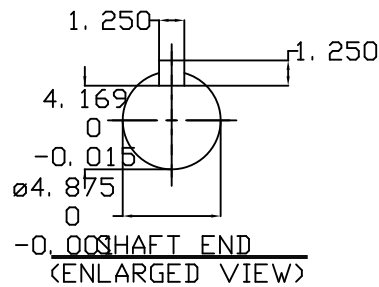
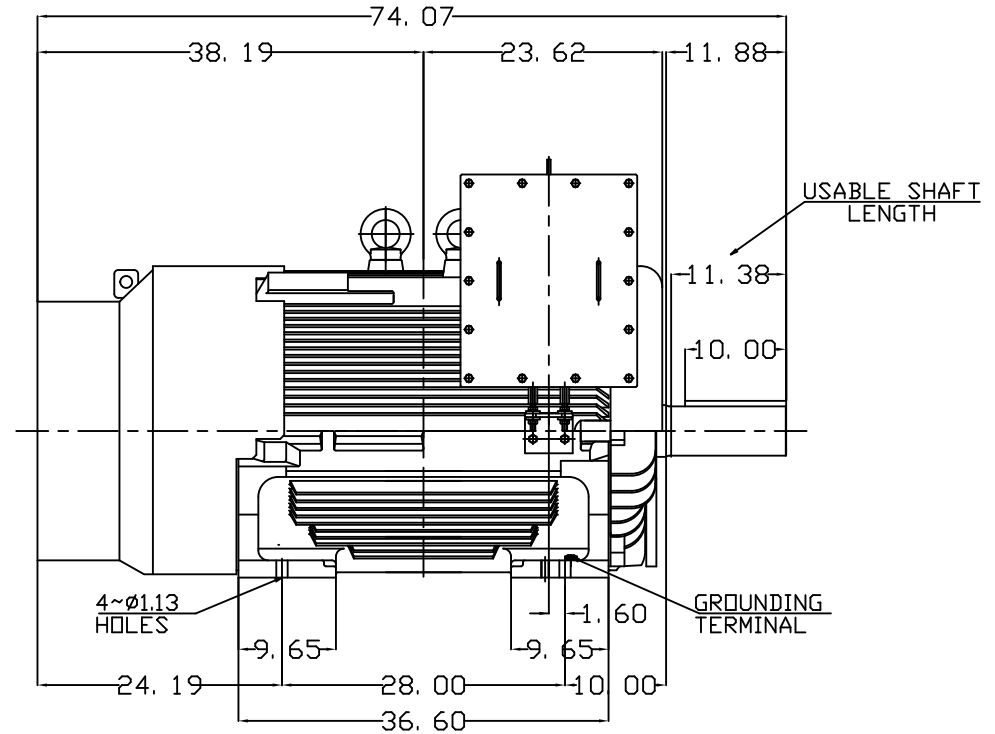
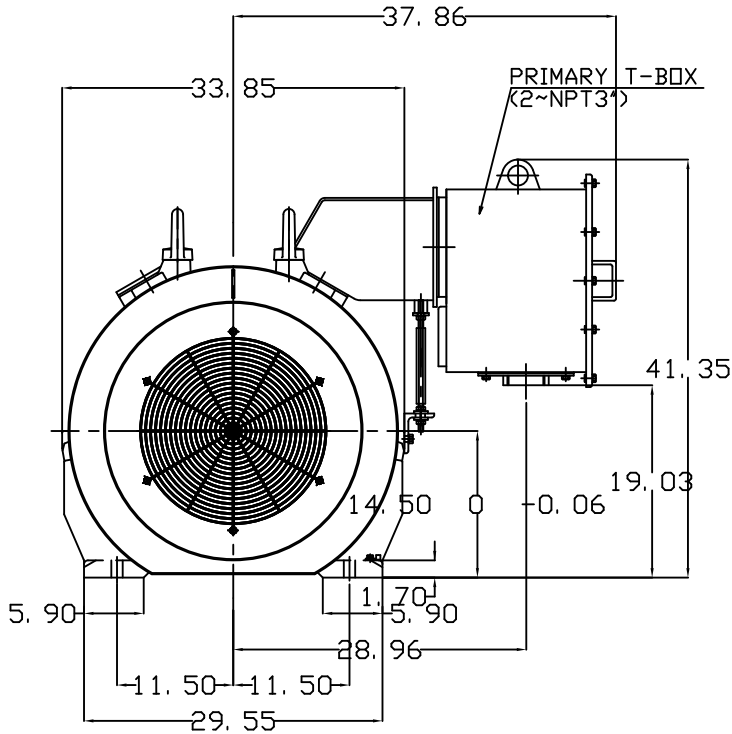


TYPE	OUTPUT		POLE	TIME RATING	VOLTAGE V	Hz	SYN.SPEED R.P.M
	HP.	KW.					
AEHH8N	500	373	6	CONT.	460	60	1200

TOTALLY ENCLOSED FAN-COOLED TYPE, SQUIRREL-CAGE ROTOR



NOTE:

- DIMENSIONS IN inch
- FRAME NO. 5808B
- F CLASS INSULATION, S.F.1.15
- FOR DIRECT FLEXIBLE COUPLING
- ENCLOSURE: IP55
- BEARING SIZE: DRIVE-END 6326
OPP. DRIVE-END 6322
- MOTOR APPROX. WEIGHT: 5600 lb

DATE	OUTLINE DIMENSIONS	
CATALOG # EP5006	3-PHASE INDUCTION MOTOR	
DWN. Y.DU MAR-22-2014	TECO Westinghouse	DWG NO. REV:00
CHKD. W.CHENG MAR-29-2014		4B040C032
APPD. C.SHIH MAR-29-2014		