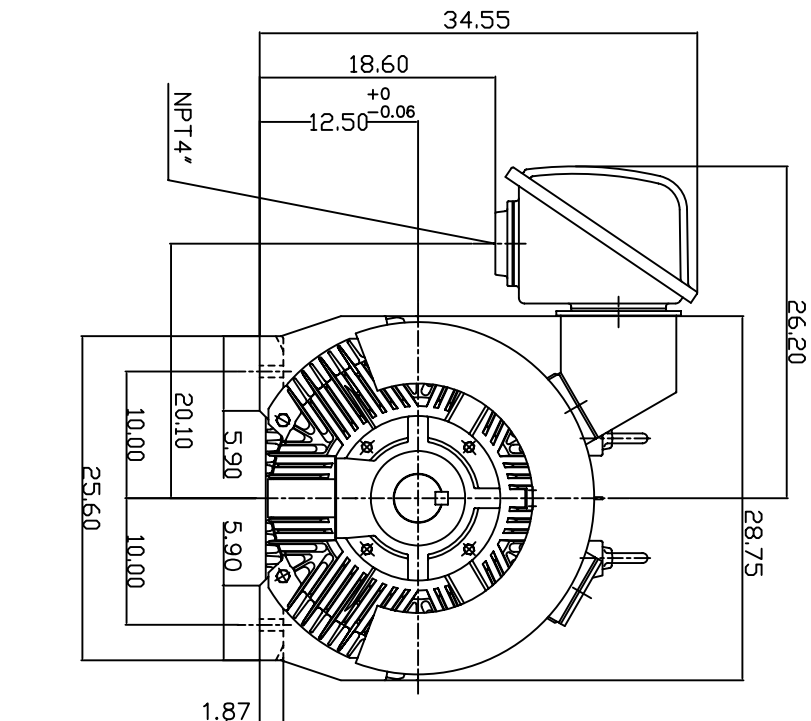
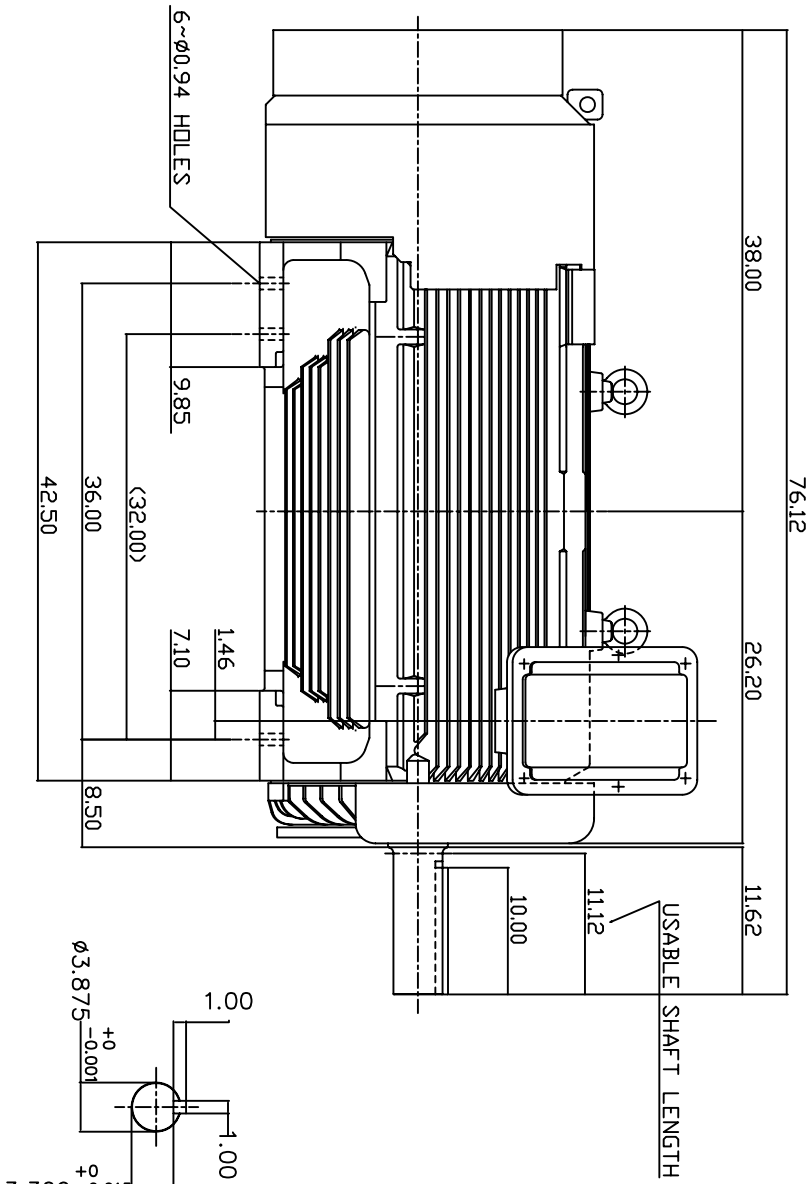


TYPE	OUTPUT		POLE	TIME RATING	VOLTAGE	Hz	SYN SPEED R.P.M
	HP.	KW.					
AEH8N	500	373	4	CDNT.	380	50	1500

TOTALLY ENCLOSED FAN-COOLED TYPE. SQUIRREL-CAGE ROTOR



NOTE:

1. DIMENSIONS IN INCH.
2. FRAME NO. 5011B (5010B)
3. F CLASS INSULATION, S.F.1.0
4. FOR BELT DRIVE APPLICATIONS
5. BEARING SIZE: DRIVE END: 6324
NON-DRIVE END: 6320
6. MOTOR APPROX. WEIGHT: 5000 LBS

TV-56C

DWN.	W.L.LIN	MAR-03-2003
CHKD.	W.L.LIN	MAR-03-2003
APPD.	C.WANG	MAR-03-2003

DATE	APRIL 23, 2004	OUTLINE DIMENSIONS
CATALOG NO.	EP5004R-50	
3-PHASE INDUCTION MOTOR		DWG NO.
		3A040T177-1



REV: 00