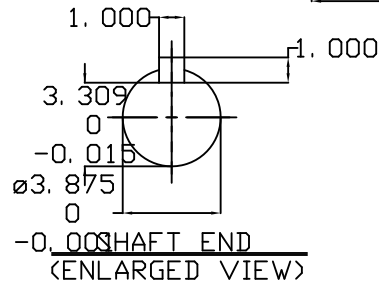
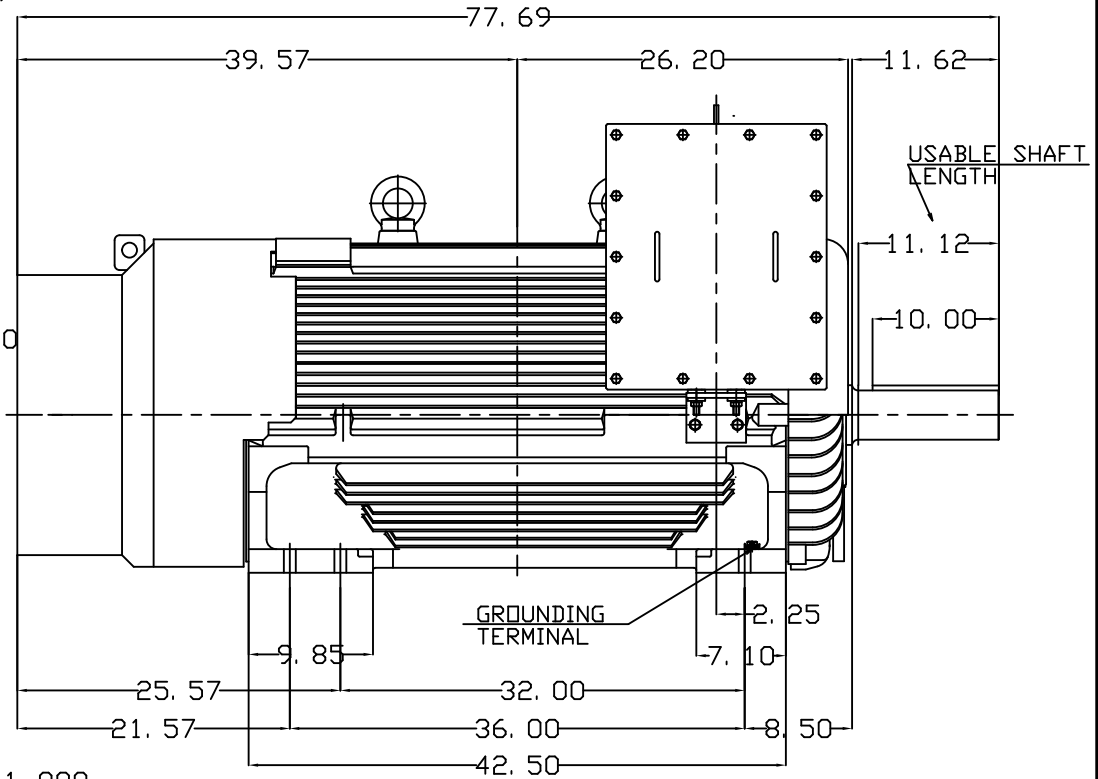
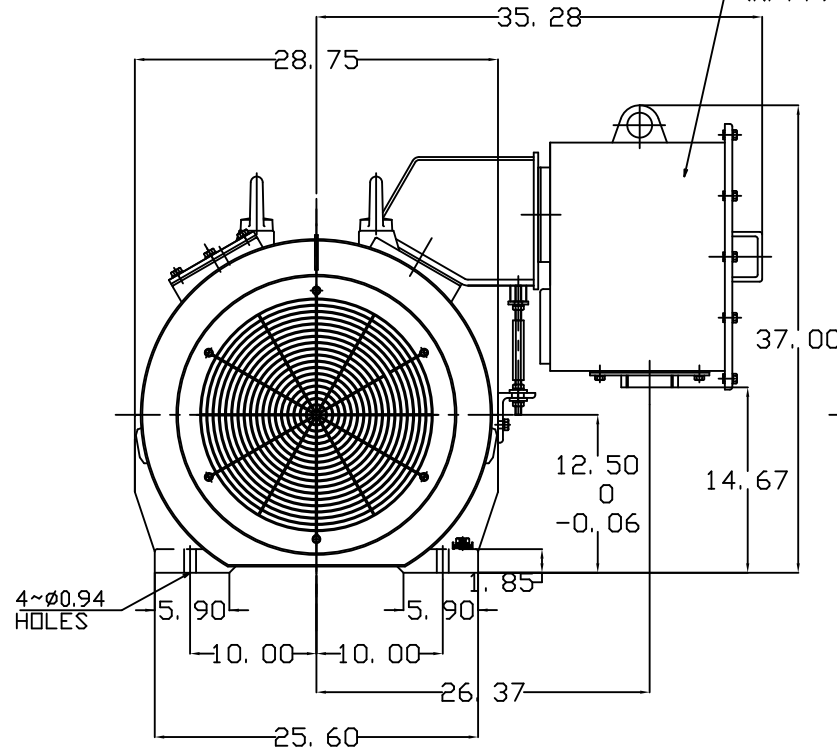


TYPE	OUTPUT		POLE	TIME RATING	VOLTAGE V	Hz	SYN.SPEED R.P.M
	HP.	kW.					
AEHH8N	500	373	4	CONT.	460	60	1800

TOTALLY ENCLOSED FAN-COOLED TYPE, SQUIRREL-CAGE ROTOR

PRIMARY T-BOX
(NPT4")



NOTE:

- DIMENSIONS IN inch
- FRAME NO. 5011B(5010B)
- F CLASS INSULATION, S.F.1.15
- FOR DIRECT FLEXIBLE COUPLING
- ENCLOSURE: IP55
- BEARING SIZE: DRIVE-END 6324
OPP. DRIVE-END 6320
- MOTOR APPROX. WEIGHT: 5000 lb

DATE		OUTLINE DIMENSIONS	
CATALOG # EP5004		3-PHASE INDUCTION MOTOR	
DWN. Y.DU	MAR-20-2014	TECO Westinghouse	DWG NO. REV:00
CHKD. W.CHENG	MAR-29-2014		4B040C012
APPD. C.SHIH	MAR-29-2014		