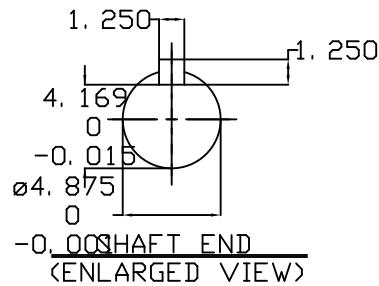
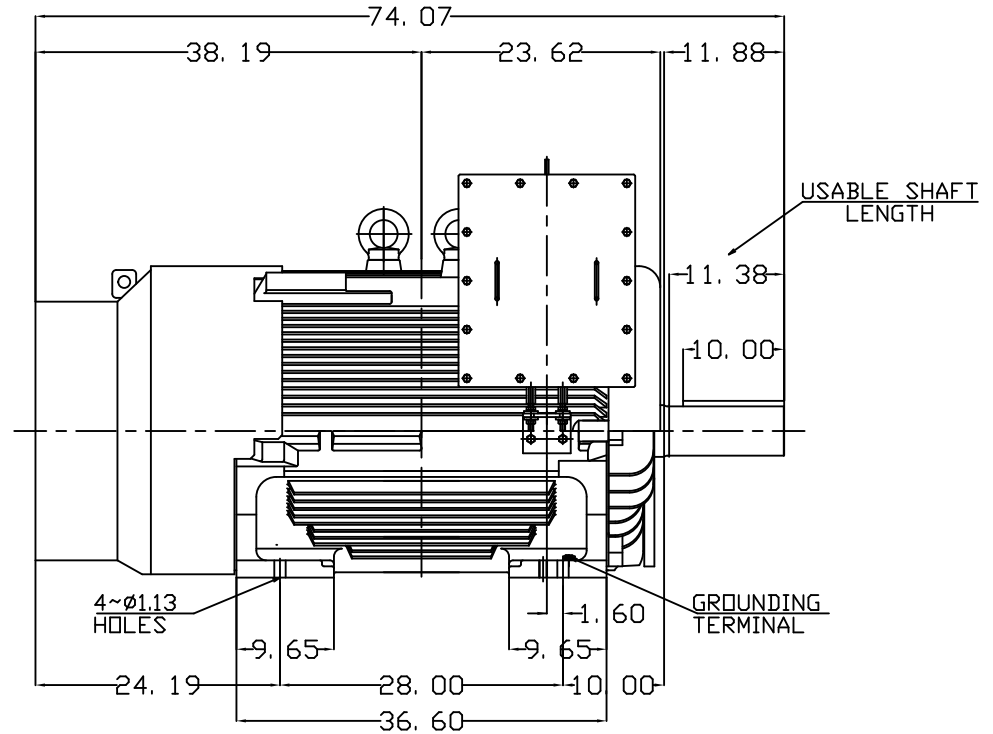
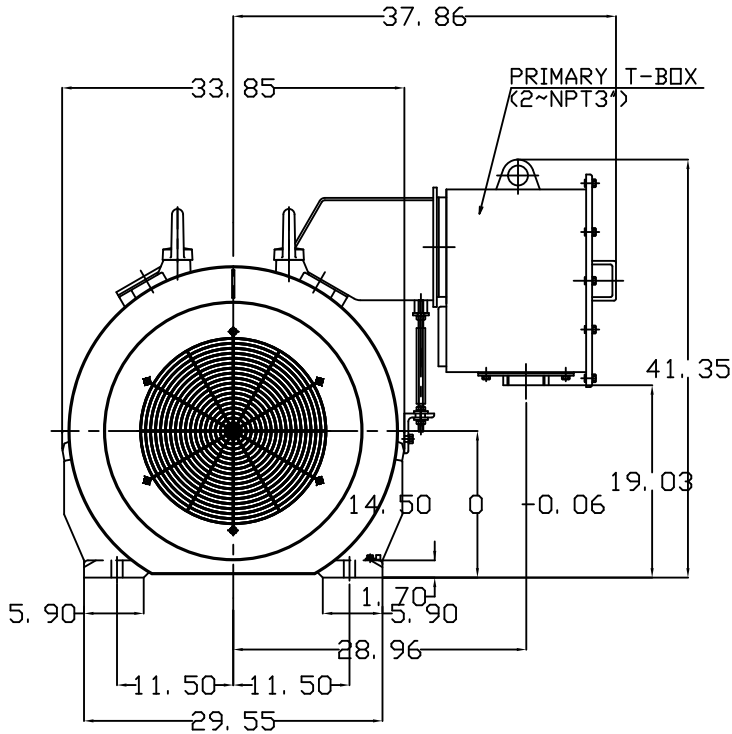


TYPE	OUTPUT		POLE	TIME RATING	VOLTAGE V	Hz	SYN.SPEED R.P.M
	HP.	KW.					
AEHH8N	450	336	6	CONT.	460	60	1200

TOTALLY ENCLOSED FAN-COOLED TYPE, SQUIRREL-CAGE ROTOR



NOTE:

1. DIMENSIONS IN inch
2. FRAME NO. 5808C
3. F CLASS INSULATION, S.F.1.15
4. FOR BELT DRIVE APPLICATIONS
5. ENCLOSURE: IP55
6. BEARING SIZE: DRIVE-END NU326
OPP. DRIVE-END 6322
7. MOTOR APPROX. WEIGHT: 5250 lb

DATE	OUTLINE DIMENSIONS	
CATALOG # EP4506R	3-PHASE INDUCTION MOTOR	
DWN. Y.DU MAR-22-2014	TECO Westinghouse	DWG NO. REV:00
CHKD. W.CHENG MAR-29-2014		4B040C032
APPD. C.SHIH MAR-29-2014		