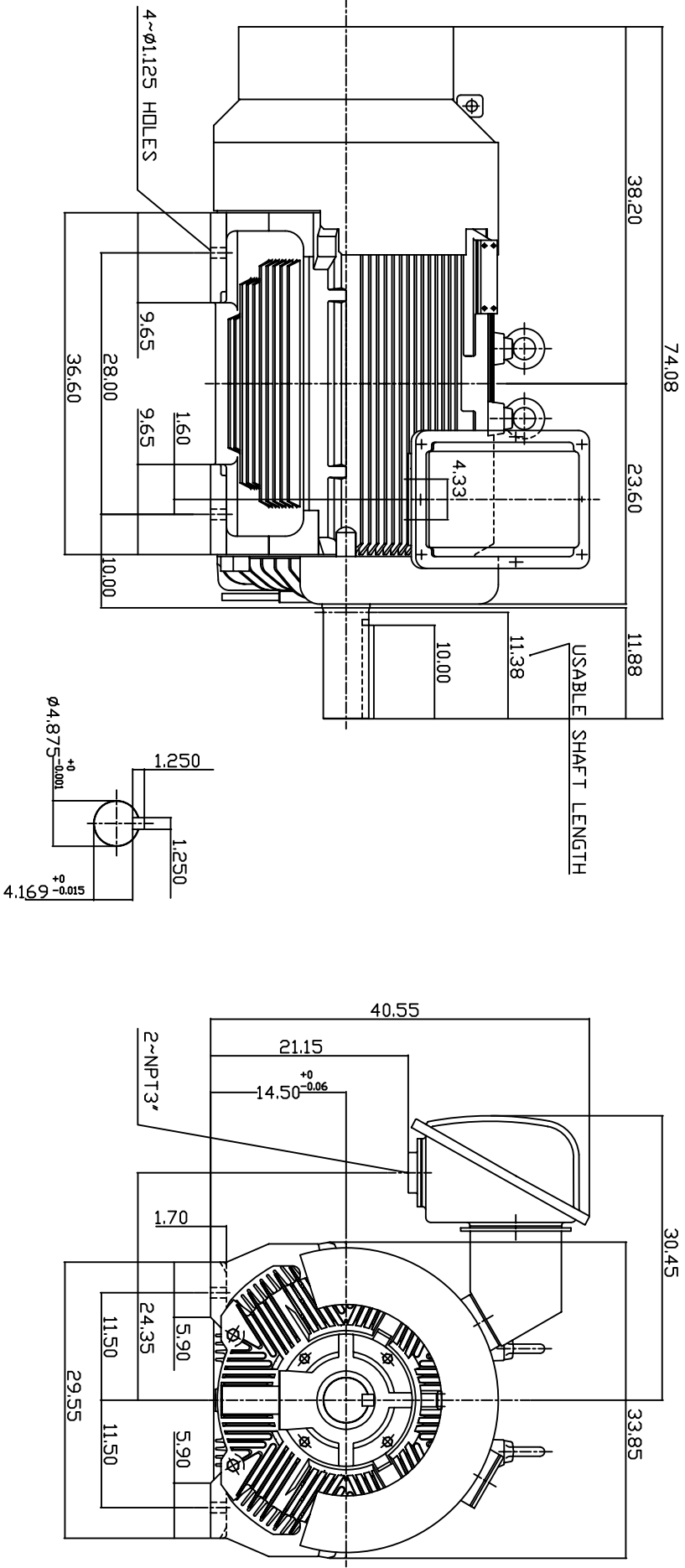


TYPE	OUTPUT		POLE	TIME RATING	VOLTAGE	Hz	SYN SPEED R.P.M
	HP.	KW.					
AEH8N	450.	336	6	CONT.	380	50	1000

TOTALLY ENCLOSED FAN-COOLED TYPE, SQUIRREL-CAGE ROTOR



- NOTE:
1. DIMENSIONS IN INCH.
  2. FRAME NO. 5808C
  3. F CLASS INSULATION, S.F.1.0
  4. FDR BELT DRIVE APPLICATIONS
  5. BEARING SIZE: DRIVE END: NU326  
NON-DRIVE END: 6322
  6. MOTOR APPROX. WEIGHT: 5250 LBS

DWN.	W.LLIN	MAR-04-2003	DATE	APRIL 26, 2004
CHKD.	W.LLIN	MAR-04-2003	CATALOG NO.	EP4506R-503-PHASE INDUCTION MOTOR
APPD.	C.WANG	MAR-04-2003	TECO	Westinghouse
			DWG NO.	3A040T184-1
			REV:	00

OUTLINE DIMENSIONS

TW-66C