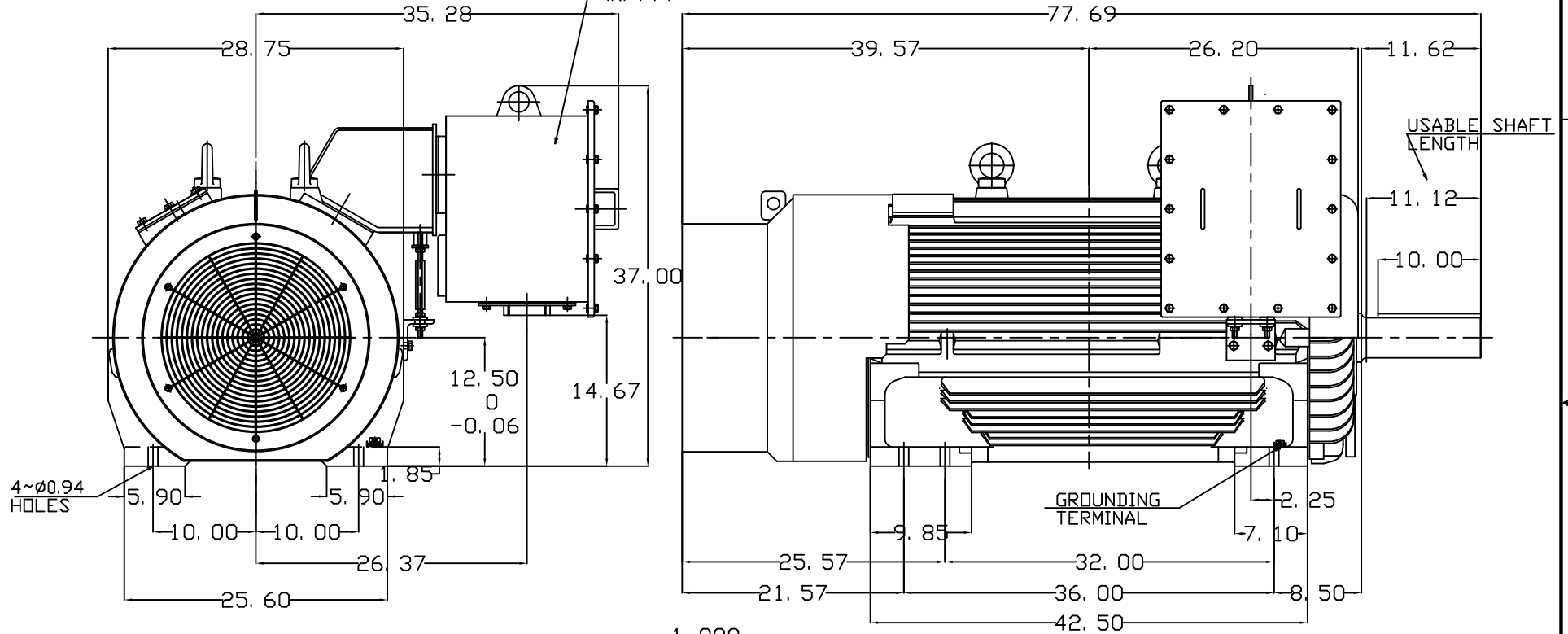


| TYPE   | OUTPUT |     | POLE | TIME RATING | VOLTAGE V | Hz | SYN.SPEED R.P.M |
|--------|--------|-----|------|-------------|-----------|----|-----------------|
|        | HP.    | KW. |      |             |           |    |                 |
| AEHH8N | 450    | 336 | 4    | CONT.       | 460       | 60 | 1800            |

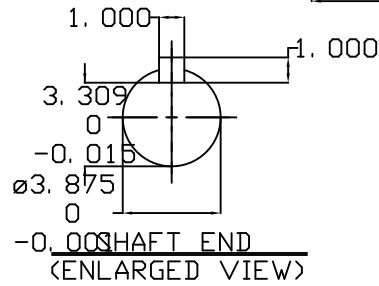
TOTALLY ENCLOSED FAN-COOLED TYPE, SQUIRREL-CAGE ROTOR

PRIMARY T-BOX  
(NPT4")



NOTE:

1. DIMENSIONS IN inch
2. FRAME NO. 5011B(5010B)
3. F CLASS INSULATION, S.F.1.15
4. FOR DIRECT FLEXIBLE COUPLING
5. ENCLOSURE: IP54
6. BEARING SIZE: DRIVE-END 6324  
OPP. DRIVE-END 6320
7. MOTOR APPROX. WEIGHT: 4800 lb



(ENLARGED VIEW)

|                           |                         |                |
|---------------------------|-------------------------|----------------|
| DATE                      | OUTLINE DIMENSIONS      |                |
| CATALOG # EP4504          | 3-PHASE INDUCTION MOTOR |                |
| DWN. Y.DU MAR-20-2014     | TECO Westinghouse       | DWG NO. REV:00 |
| CHKD. W.CHENG MAR-29-2014 |                         | 4B040C012      |
| APPD. C.SHIH MAR-29-2014  |                         |                |