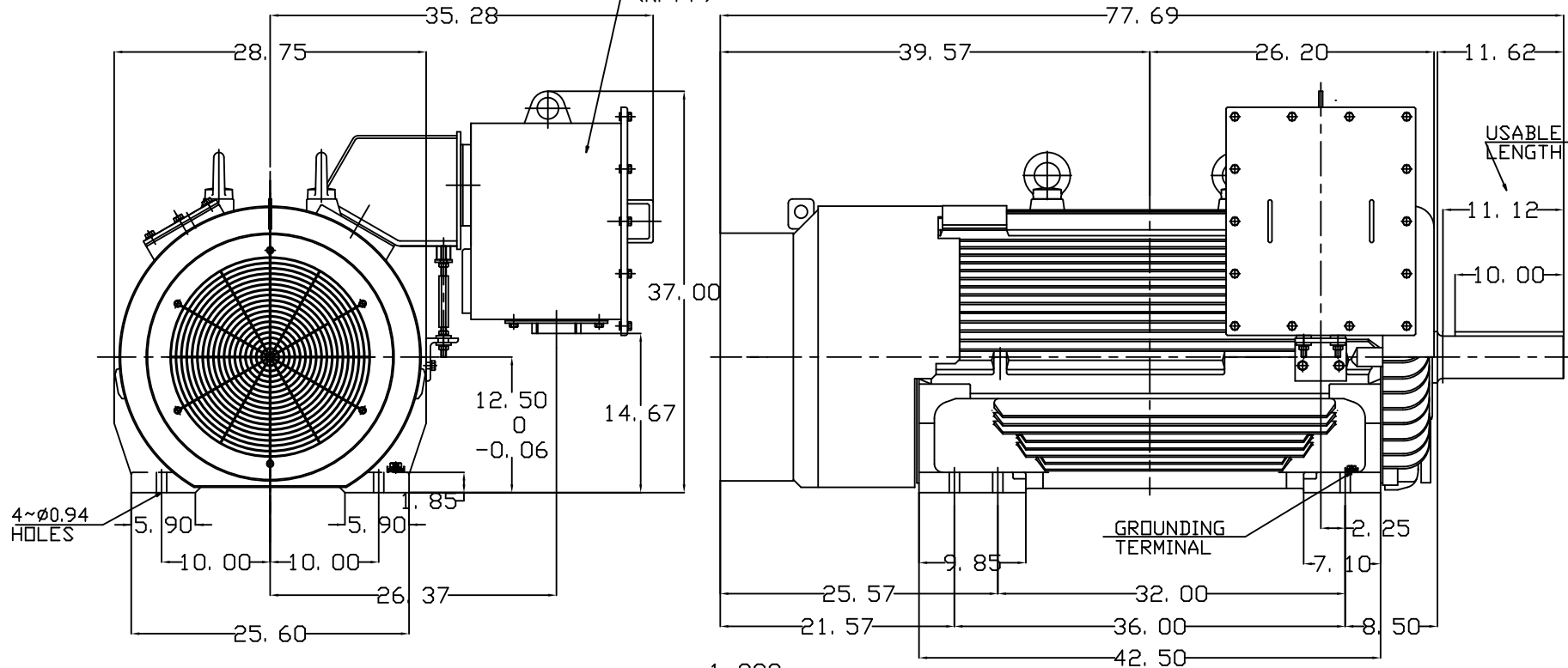


TYPE	OUTPUT		POLE	TIME RATING	VOLTAGE V	Hz	SYN.SPEED R.P.M
	HP.	KW.					
AEHH8N	400	298	6	CONT.	460	60	1200

TOTALLY ENCLOSED FAN-COOLED TYPE, SQUIRREL-CAGE ROTOR

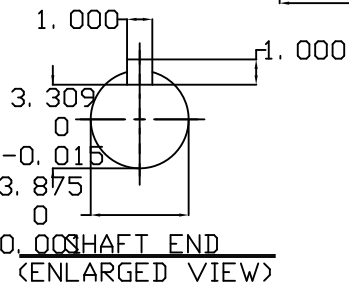
PRIMARY T-BOX
(NPT4")



4~ ϕ 0.94 HOLES

USABLE SHAFT LENGTH

GROUNDING TERMINAL



NOTE:

1. DIMENSIONS IN inch
2. FRAME NO. 5011C(5010C)
3. F CLASS INSULATION, S.F.1.15
4. FOR DIRECT FLEXIBLE COUPLING
5. ENCLOSURE: IP55
6. BEARING SIZE: DRIVE-END NU324
OPP. DRIVE-END 6320
7. MOTOR APPROX. WEIGHT: 4900 lb

DATE	OUTLINE DIMENSIONS
CATALOG # EP4006R	3-PHASE INDUCTION MOTOR

DWN.	Y.DU	MAR-20-2014
CHKD.	W.CHENG	MAR-29-2014
APPD.	C.SHIH	MAR-29-2014

TECO Westinghouse

DWG NO. REV:00
4B040C015