

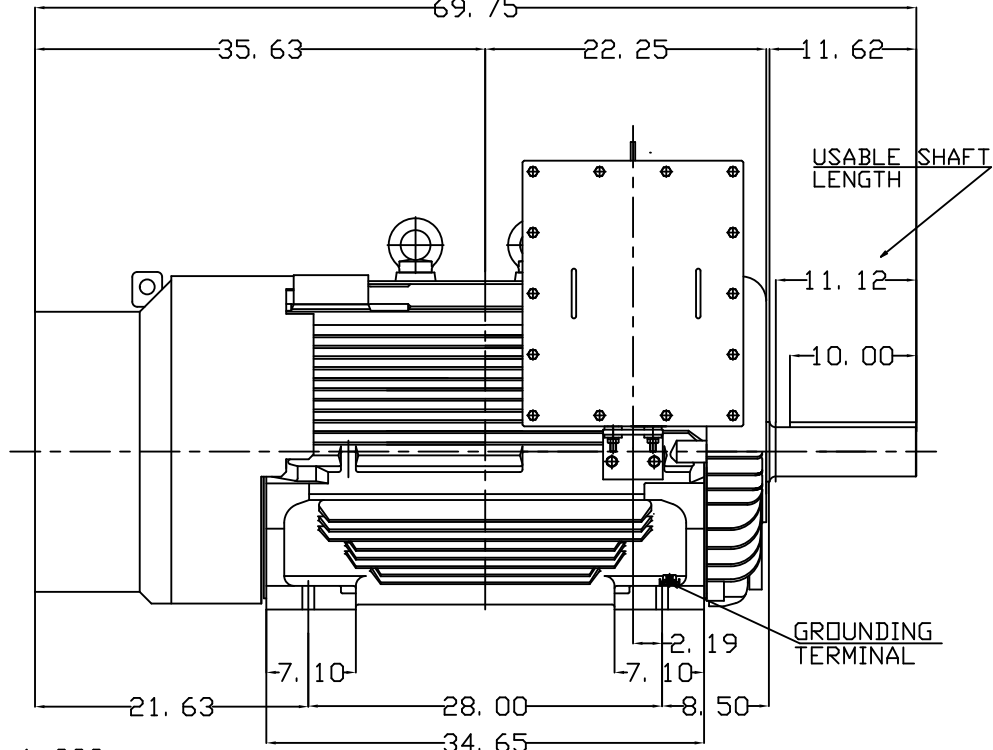
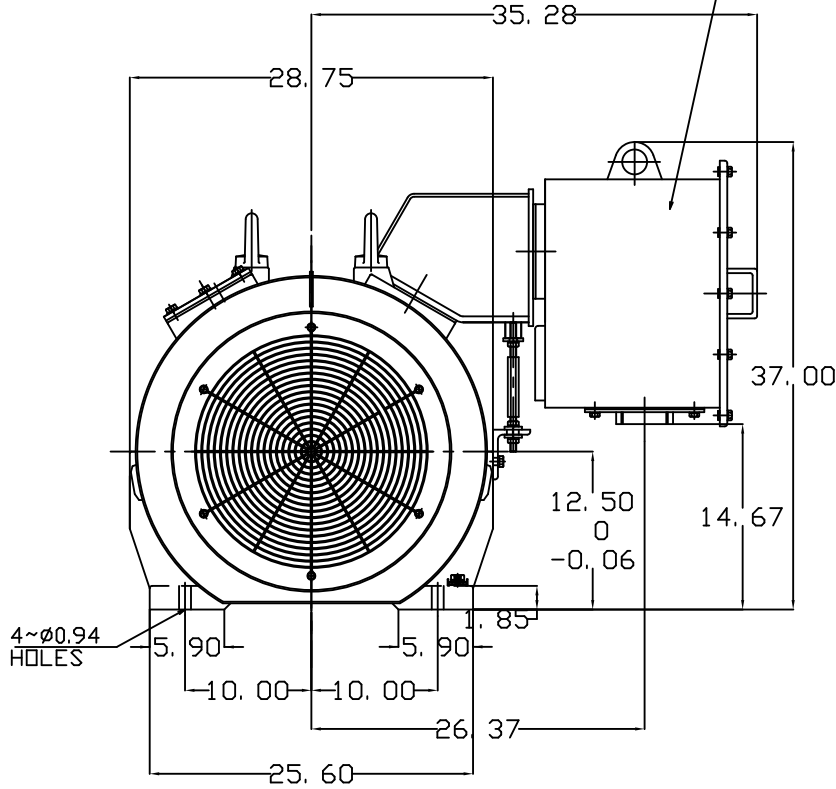
6 | 5 | 4 | 3 | 2 | 1

TYPE	OUTPUT		POLE	TIME RATING	VOLTAGE V	Hz	SYN.SPEED R.P.M
	HP.	KW.					
AEHH8N	400	298	4	CONT.	460	60	1800

TOTALLY ENCLOSED FAN-COOLED TYPE, SQUIRREL-CAGE ROTOR

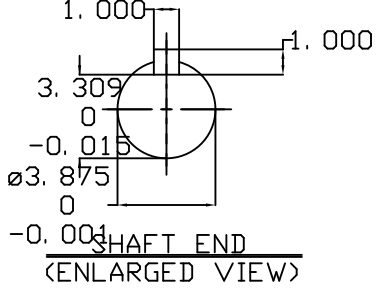
PRIMARY T-BOX (NPT4")

D
C
B
A



USABLE SHAFT LENGTH

GROUNDING TERMINAL



SHAFT END (ENLARGED VIEW)

- NOTE:
1. DIMENSIONS IN inch
 2. FRAME NO. 5009B
 3. F CLASS INSULATION, S.F.1.15
 4. FOR DIRECT FLEXIBLE COUPLING
 5. ENCLOSURE: IP55
 6. BEARING SIZE: DRIVE-END 6324
OPP. DRIVE-END 6320
 7. MOTOR APPROX. WEIGHT: 3700 lb

DATE	OUTLINE DIMENSIONS
CATALOG # EP4004	3-PHASE INDUCTION MOTOR
DWN. Y.DU MAR-19-2014	DWG NO. REV:00
CHKD. W.CHENG MAR-28-2014	4A040Y991
APPD. C.SHIH MAR-28-2014	



6 | 5 | 4 | 3 | 2 | 1