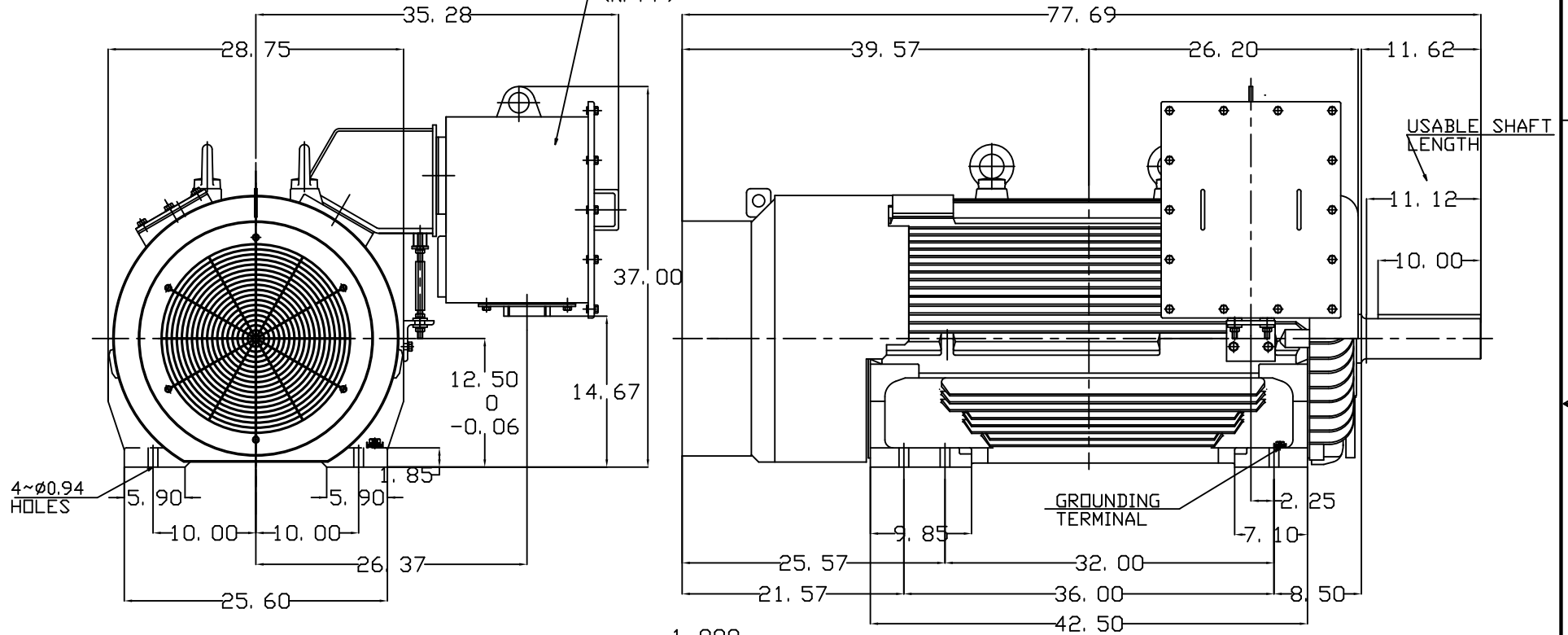


TYPE	OUTPUT		POLE	TIME RATING	VOLTAGE V	Hz	SYN.SPEED R.P.M
	HP.	KW.					
AEHH8N	350	261	6	CONT.	460	60	1200

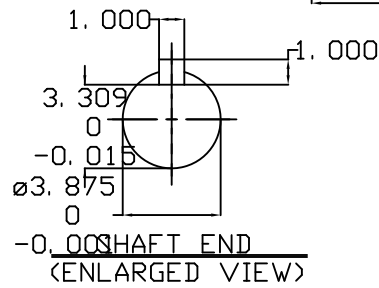
TOTALLY ENCLOSED FAN-COOLED TYPE, SQUIRREL-CAGE ROTOR

PRIMARY T-BOX  
(NPT4")



NOTE:

- DIMENSIONS IN inch
- FRAME NO. 5011C(5010C)
- F CLASS INSULATION, S.F.1.15
- FOR BELT DRIVE APPLICATION
- ENCLOSURE: IP55
- BEARING SIZE: DRIVE-END NU324  
OPP. DRIVE-END 6320
- MOTOR APPROX. WEIGHT: 5565 lb



DATE	OUTLINE DIMENSIONS	
CATALOG # EP3506R	3-PHASE INDUCTION MOTOR	
DWN. Y.DU MAR-20-2014	TECO Westinghouse	DWG NO. REV:00
CHKD. W.CHENG MAR-29-2014		4B040C015
APPD. C.SHIH MAR-29-2014		