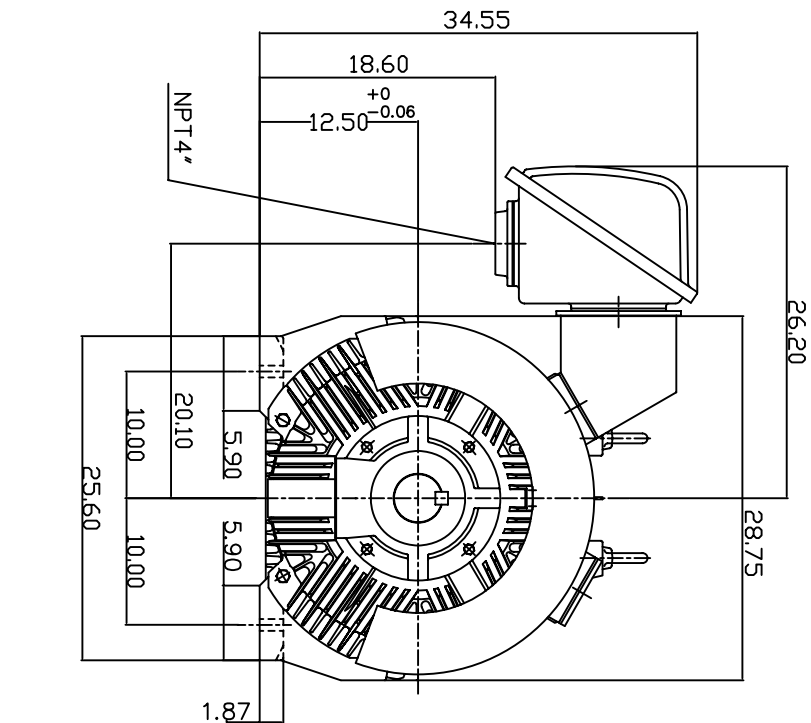
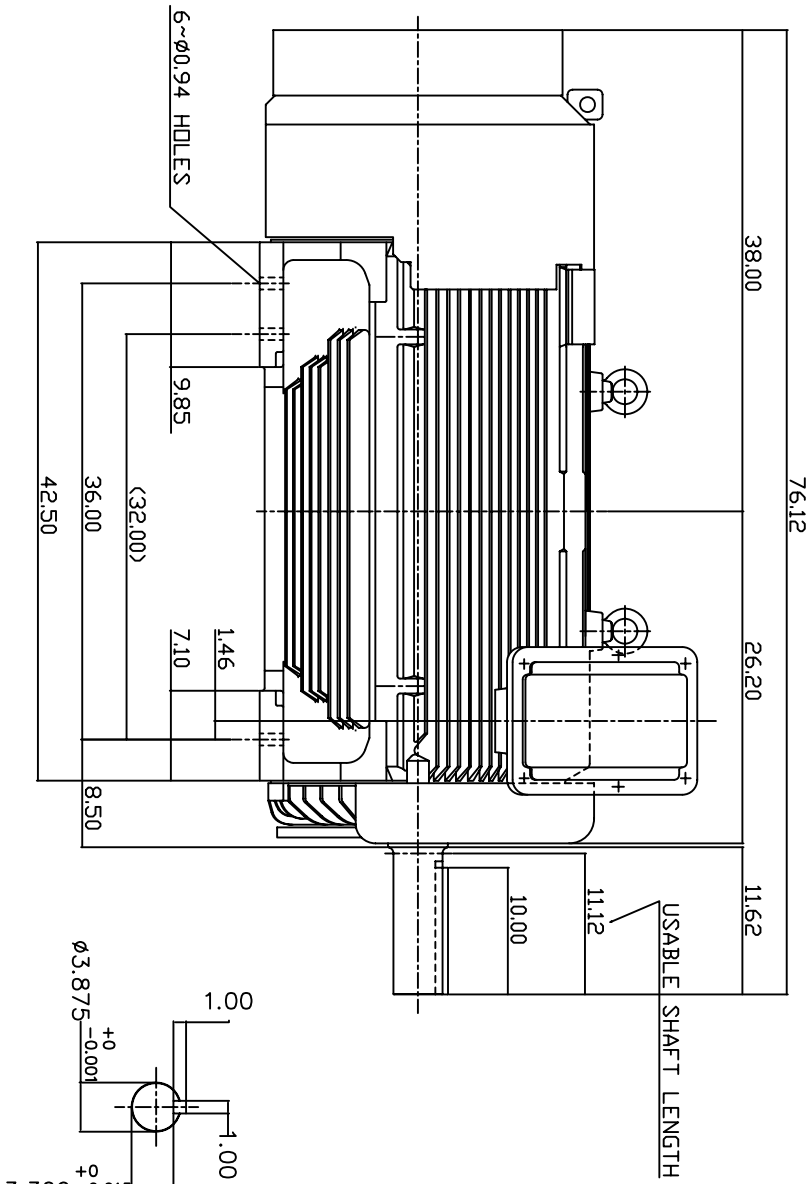


TYPE	OUTPUT		POLE	TIME RATING	VOLTAGE	Hz	SYN SPEED R.P.M
	HP.	KW.					
AEH8N	350	261	6	CDNT.	380	50	1000

TOTALLY ENCLOSED FAN-COOLED TYPE. SQUIRREL-CAGE ROTOR



NOTE:

1. DIMENSIONS IN INCH.
2. FRAME NO. 5011C (5010C)
3. F CLASS INSULATION, S.F.1.0
4. FOR BELT DRIVE APPLICATION
5. BEARING SIZE: DRIVE END: NU324
NON-DRIVE END: 6320
6. MOTOR APPROX. WEIGHT: 4200 LBS

TV-56C

DWN.	W.L.LIN	DATE
CHKD.	W.L.LIN	MAR-03-2003
APPD.	C.WANG	MAR-03-2003

DATE	OUTLINE DIMENSIONS
APRIL 23, 2004	3-PHASE INDUCTION MOTOR
CATALOG NO. EP3506R-50	



DWG NO. 3A040T180
REV: 00