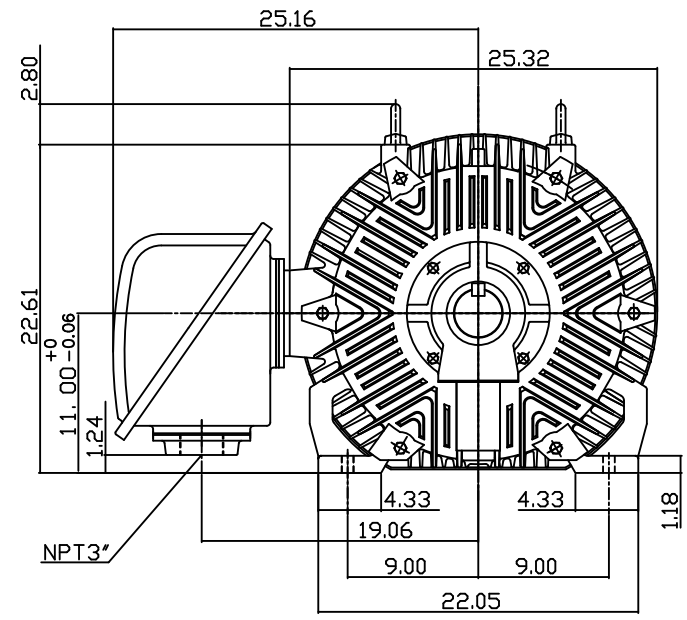
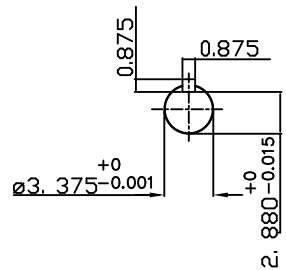
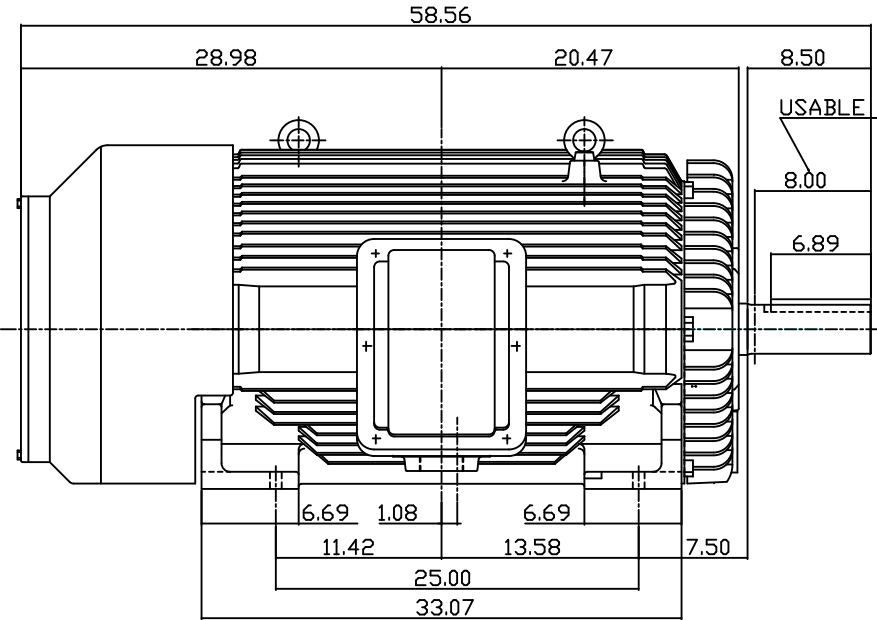


TYPE	OUTPUT		POLE	TIME RATING	VOLTAGE V	Hz	SYN.SPEED R.P.M
	HP	KW					
AEHH8N	350	261	4	CONT.	460	60	1800

TOTALLY ENCLOSED FAN-COOLED TYPE, SQUIRREL-CAGE ROTOR



- NOTE:
1. DIMENSIONS IN INCH.
  2. FRAME NO. 449T
  3. F CLASS INSULATION, S.F.1.15
  4. FOR DIRECT FLEXIBLE COUPLING.
  5. BEARING SIZE: DRIVE END: 6320  
NON-DRIVE END: 6316
  6. MOTOR APPROX. WEIGHT: 3350 LBS

TW-56C

DATE	MAY 14, 2013	OUTLINE DIMENSIONS
CATALOG NO.	EP3504	3-PHASE INDUCTION MOTOR
DWG NO.	3A040W799	REV: 00

DWN.	W.CHENG	MAY 10 2004
CHKD.	H.HUANG	MAY 10 2004
APPD.	C.WANG	MAY 10 2004

