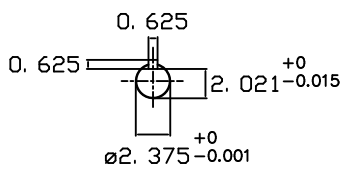
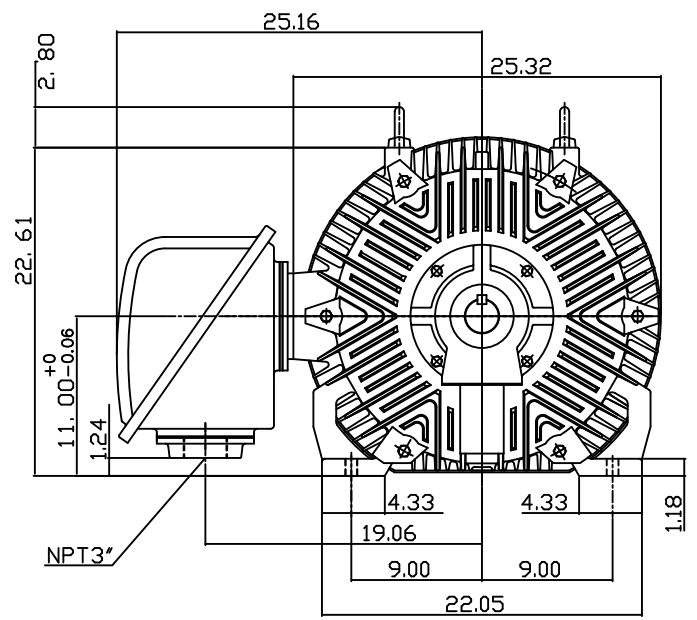
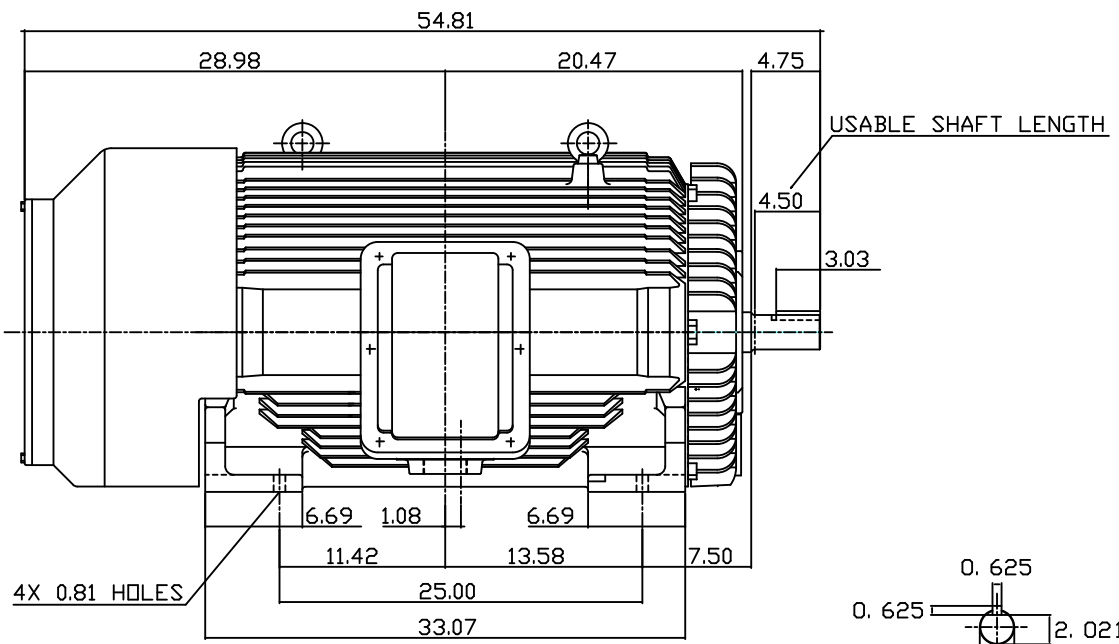


TYPE	OUTPUT		POLE	TIME RATING	VOLTAGE V	Hz	SYN.SPEED R.P.M
	HP	KW					
AEHH8N	350	261	2	CONT.	460	60	3600

TOTALLY ENCLOSED FAN-COOLED TYPE, SQUIRREL-CAGE ROTOR



- NOTE:
1. DIMENSIONS IN INCH.
  2. FRAME NO. 449TS
  3. F CLASS INSULATION, S.F.1.15
  4. FOR DIRECT FLEXIBLE COUPLING.
  5. BEARING SIZE: DRIVE END: 6314C3  
NON-DRIVE END: 6314C3
  6. MOTOR APPROX. WEIGHT: 3100 LBS

TW-56C

DATE	SEPT. 13, 2012	OUTLINE DIMENSIONS
CATALOG NO.	EP3502	3-PHASE INDUCTION MOTOR
DWN.	W.CHENG	MAY · 10 2004
CHKD.	H.HUANG	MAY · 10 2004
APPD.	C.WANG	MAY · 10 2004
TECO Westinghouse		DWG NO. REV: 00
		3A040W7980