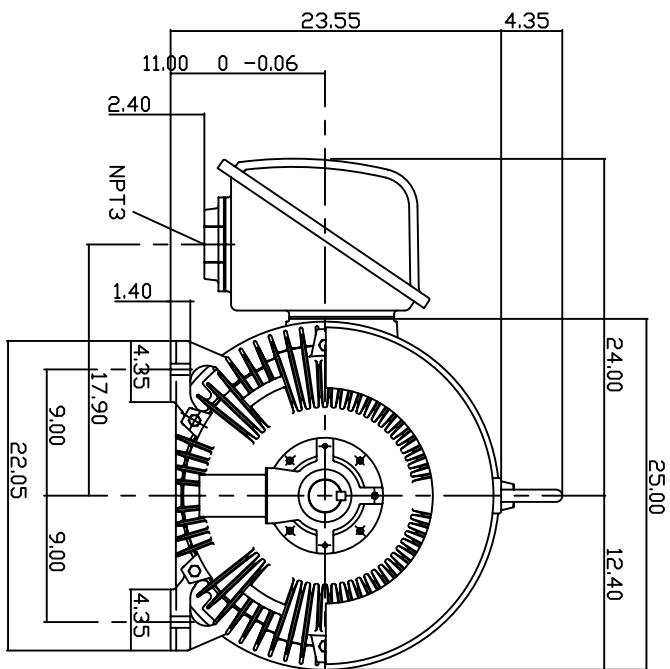
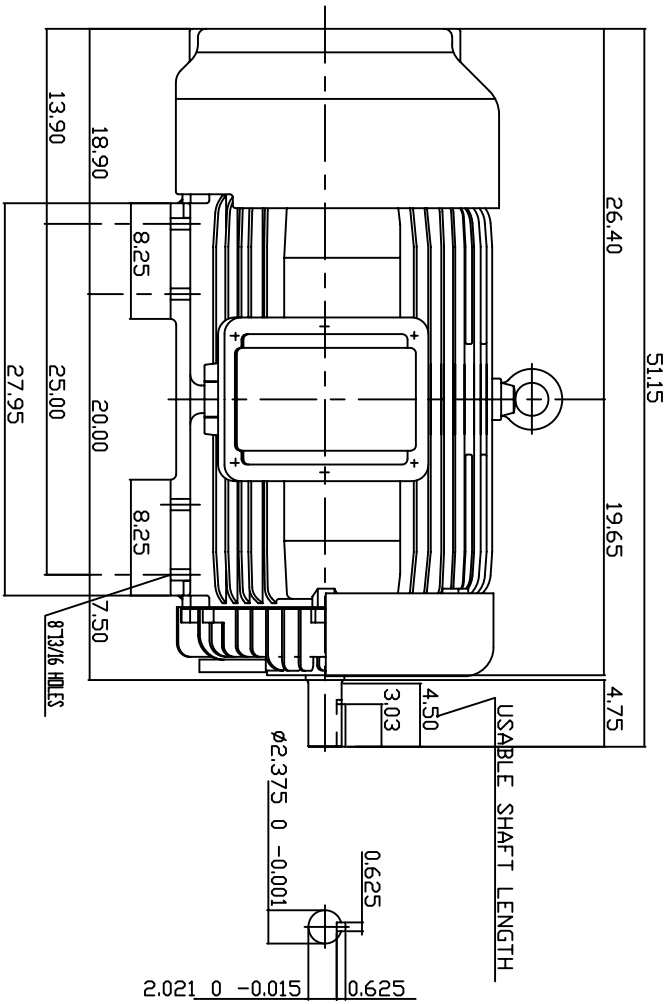


| TYPE | OUTPUT | | POLE | TIME RATING | VOLTAGE | Hz | SYN SPEED R.P.M |
|-------|--------|-------|------|-------------|---------|----|-----------------|
| | HP. | KW. | | | | | |
| AEH8N | 250 | 186.5 | 2 | | 380 | 50 | 3000 |

TOTALLY ENCLOSED FAN-COOLED TYPE, SQUIRREL-CAGE ROTOR



NOTE:

1. DIMENSIONS IN INCH
2. FRAME NO. 449TS
3. F CLASS INSULATION, S.F.115
4. FOR DIRECT FLEXIBLE COUPLING
5. ENCLOSURE: IP54
6. BEARING SIZE: DRIVE END: 6314C3
NON-DRIVE END: 6314C3
7. APPROX. WEIGHT: 3100 LBS

TW-56C

| | | |
|-------|---------|-------------|
| DWN. | T.H.Pan | FEB-17 2005 |
| CHKD. | H.HUANG | FEB-17 2005 |
| APPD. | C.WANG | FEB-17 2005 |

DATE 20050616

OUTLINE DIMENSIONS

CAT. # EP2502-50

3-PHASE INDUCTION MOTOR

DWG NO. REV: 00



3A040Y686