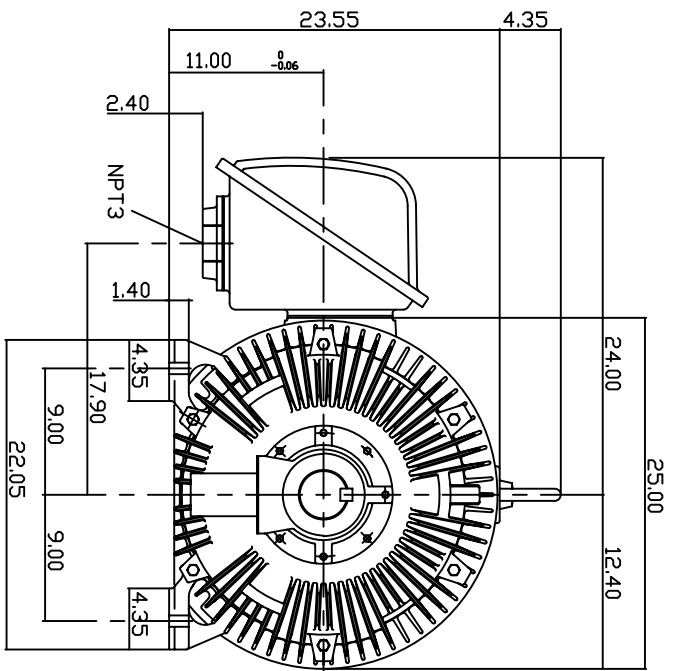
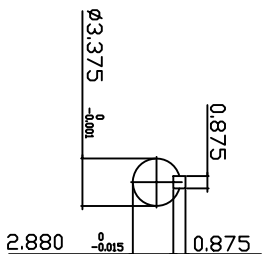
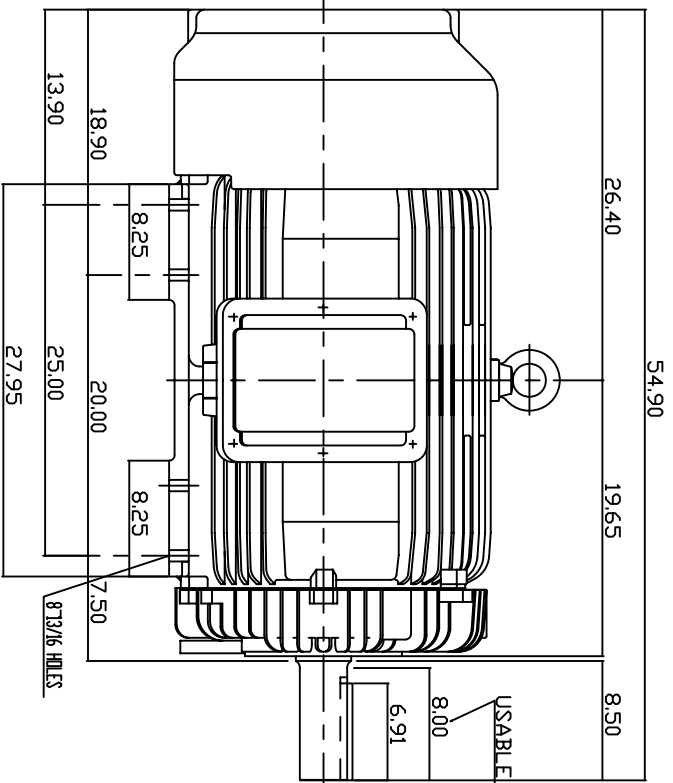


| TYPE  | OUTPUT |       | POLE | TIME RATING | VOLTAGE | Hz | SYN.SPEED R.P.M |
|-------|--------|-------|------|-------------|---------|----|-----------------|
|       | HP.    | KW.   |      |             |         |    |                 |
| AEH8N | 200    | 149.2 | 6    |             | 575     | 60 | 1200            |

TOTALLY ENCLOSED FAN-COOLED TYPE, SQUIRREL-CAGE ROTOR



NOTE:

1. DIMENSIONS IN INCH
2. FRAME NO. 449T
3. F CLASS INSULATION, S.F.115
4. FOR DIRECT FLEXIBLE COUPLING
5. ENCLOSURE: IP54
6. BEARING SIZE: DRIVE END: 6320  
NON-DRIVE END: 6316
7. APPROX. WEIGHT: 3450 LBS

TW-56C

|       |          |               |
|-------|----------|---------------|
| DWN.  | J. WANG  | JAN -28 -2005 |
| CHKD. | H. HUANG | JAN -28 -2005 |
| APPD. | C. WANG  | JAN -28 -2005 |

DATE 20050616  
CATALOG # EP20065

OUTLINE DIMENSIONS  
3-PHASE INDUCTION MOTOR



DWG NO. 3A040Y647  
REV. 00