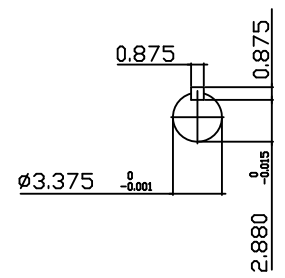
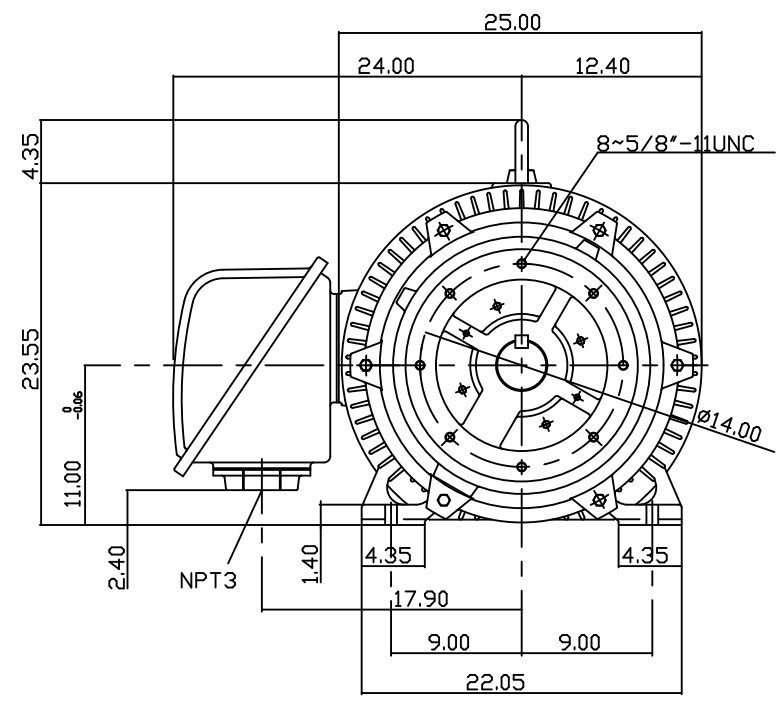
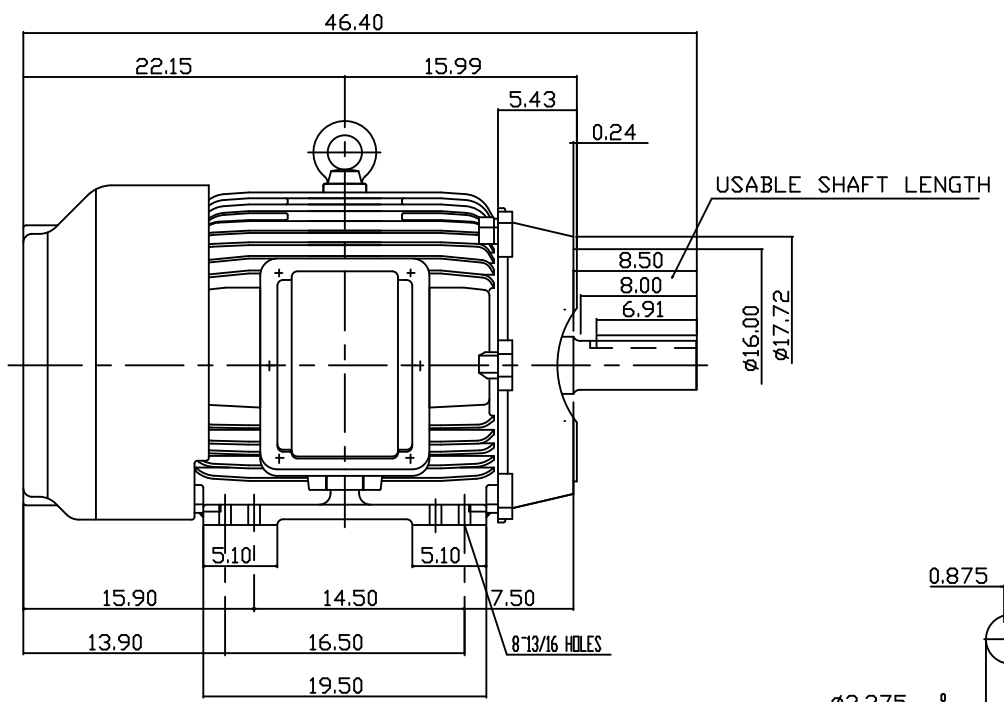


TYPE	OUTPUT		POLE	TIME RATING	VOLTAGE V	Hz	SYN.SPEED R.P.M
	HP.	kW.					
AEHH8NCF	150	111.9	4	CONT.	460	60	1800

TOTALLY ENCLOSED FAN-COOLED TYPE. SQUIRREL-CAGE ROTOR



- NOTE:
1. DIMENSIONS IN INCH
  2. FRAME NO. 445TC
  3. F CLASS INSULATION, S.F.115
  4. FOR DIRECT FLEXIBLE COUPLING
  5. ENCLOSURE: IP54
  6. BEARING SIZE: DRIVE END: 6318  
NON-DRIVE END: 6316
  7. APPROX. WEIGHT: 1900 LBS

TW-56C

DATE	July, 31, 2013	OUTLINE DIMENSIONS
Catalog #	EP1504C	3-PHASE INDUCTION MOTOR
DWN. Y.ZHU	JAN '04 2006	TEC Westinghouse
CHKD. H.HUANG	JAN '04 2006	
APPD. C.WANG	JAN '04 2006	
		DWG NO. REV: 00
		3B040C729