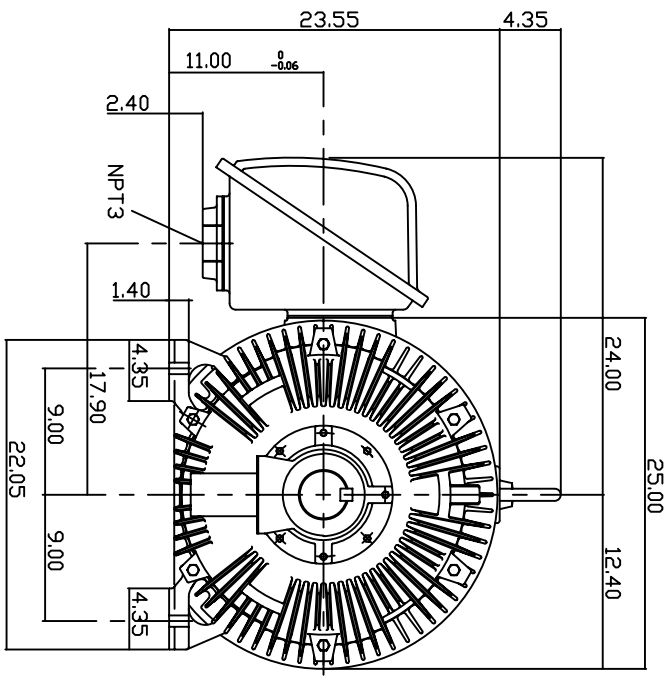
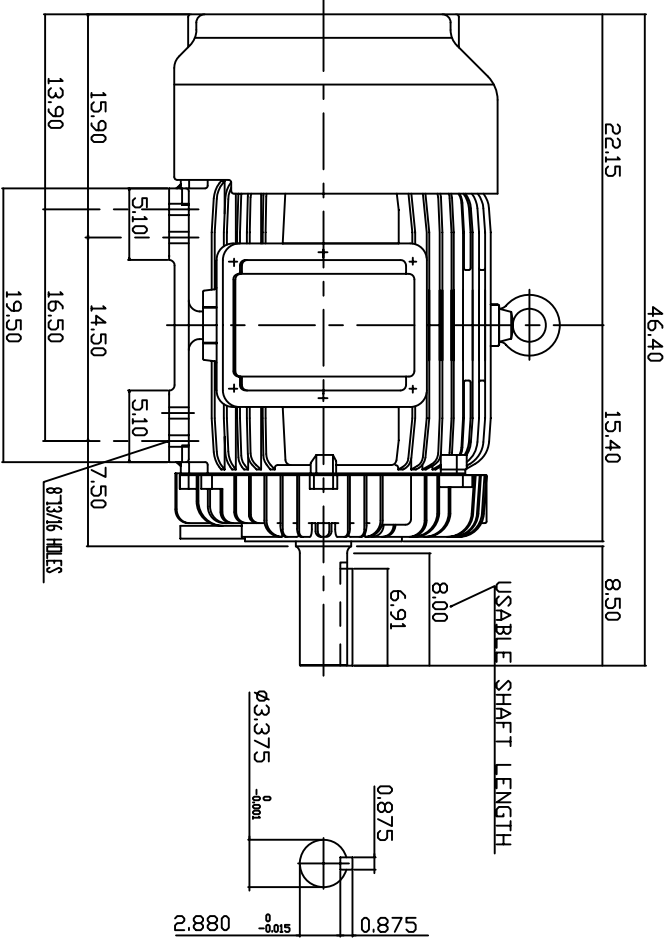


TYPE	OUTPUT HP.	OUTPUT KW.	POLE	TIME RATING	VOLTAGE V	Hz	SYNSPEED R.P.M.
AEH8N	150	111.9	4	CONT.	575	60	1800

TOTALLY ENCLOSED FAN-COOLED TYPE, SQUIRREL-CAGE ROTOR



- NOTE:
1. DIMENSIONS IN INCH
  2. FRAME NO. 445T
  3. F CLASS INSULATION, S.F.115
  4. FOR BELTED SERVICE
  5. ENCLOSURE: IP54
  6. BEARING SIZE: DRIVE END: NU318  
NON-DRIVE END: 6316
  7. APPROX. WEIGHT: 1900 LBS

TW-56C

DWN.	S.DING	JAN -28 -2005
CHKD.	H.HUANG	JAN -28 -2005
APPD.	C.WANG	JAN -28 -2005

DATE 20050616  
 CATALOG # EP15045R  
 3-PHASE INDUCTION MOTOR  
 Dwg NO. 3A040Y651  
 REV. 00