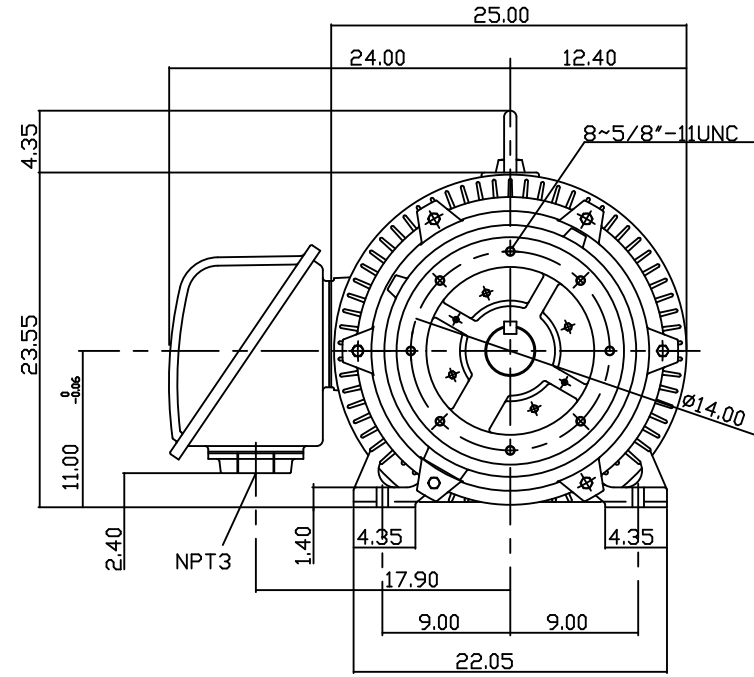
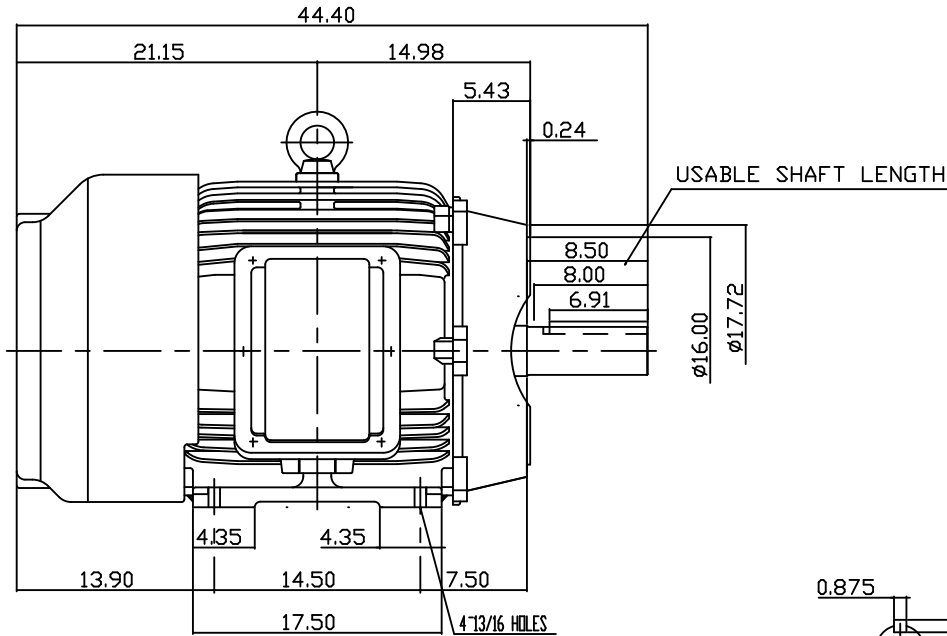


TYPE	OUTPUT		POLE	TIME RATING	VOLTAGE V	Hz	SYN.SPEED R.P.M
	HP.	KW.					
AEHH8NCF	125	93.3	4	CONT.	460	60	1800

TOTALLY ENCLOSED FAN-COOLED TYPE, SQUIRREL-CAGE ROTOR



NOTE:

1. DIMENSIONS IN INCH
2. FRAME NO. 444TC
3. F CLASS INSULATION, S.F.1.15
4. FOR DIRECT FLEXIBLE COUPLING
5. ENCLOSURE: IP54
6. BEARING SIZE: DRIVE END: 6318  
NON-DRIVE END: 6316
7. APPROX. WEIGHT: 1600 LBS

TW-56C

DATE	July 31, 2013	OUTLINE DIMENSIONS
Catalog #	EP1254C	3-PHASE INDUCTION MOTOR
DWN. Y.ZHU	JAN '03 2006	TECO Westinghouse
CHKD. H.HUANG	JAN '03 2006	
APPD. C.WANG	JAN '03 2006	
DWG NO.	REV: 00	3B040C727