

DATE
Sept. 25, 2006
Cat. #: EP0752C-50

OUTLINE DIMENSIONS

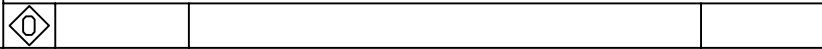
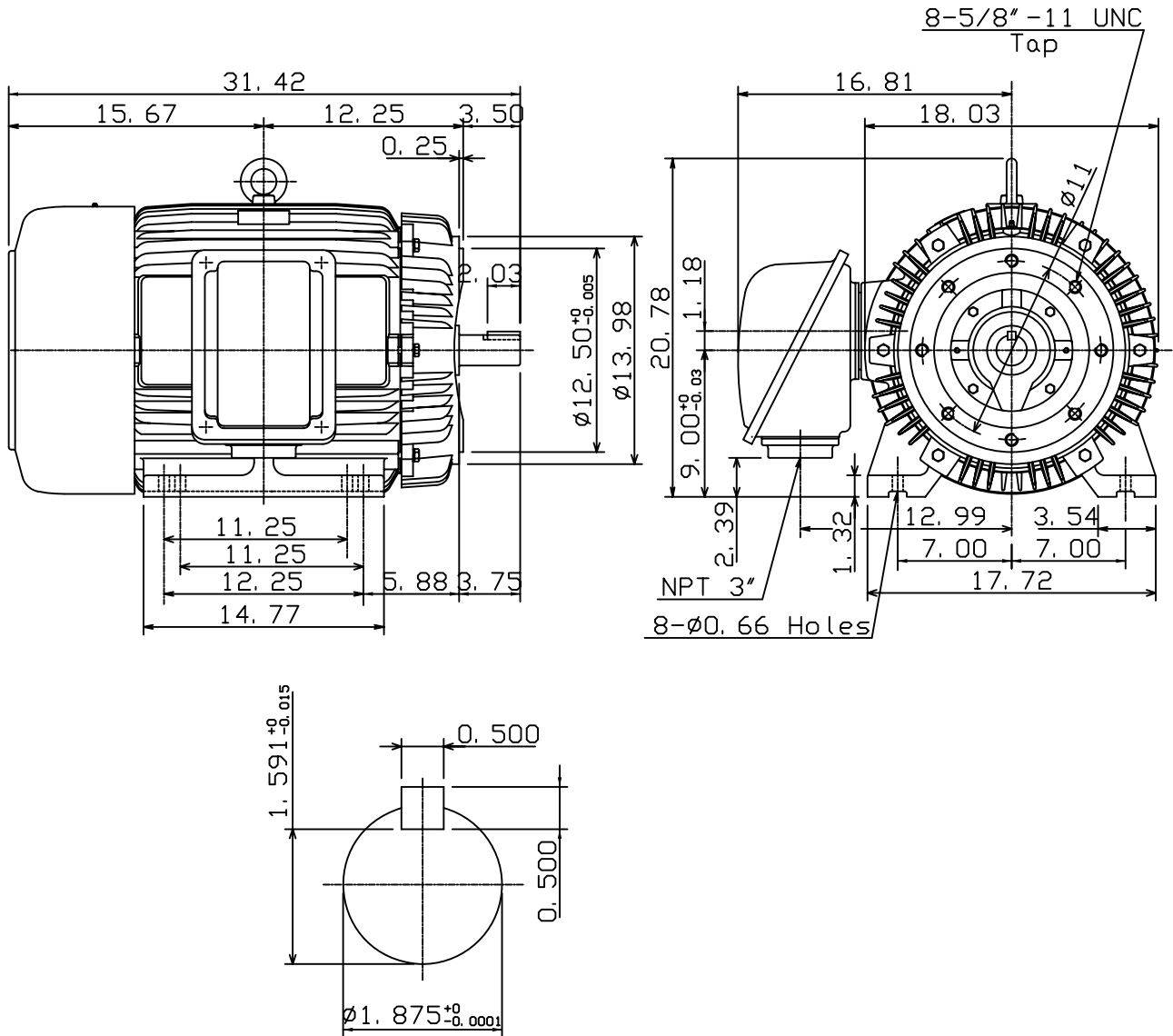
3-PHASE INDUCTION MOTOR

MOTOR TYPE:
AEHH8N-CF
FRAME NO. 365TSC

Pole	HP	kW	Hz	VOLT	Syn. Speed r/min(rpm)
2	75	56	50	190/380	3000

Ins	Rating	Dimension in	Approx Weight	Bearings	
F	CONT.	inches	903 lbs	DE: 6312C3	NDE: 6212C3

Totally Enclosed Fan Cooled Type. Squirrel-cage Rotor.



DWN.	K. L. KUD	01-11-05
CHKD.	C. H. KAD	01-28-05
APPD.	M. C. TSAI	01-28-05



DWG NO.
31049J718140