

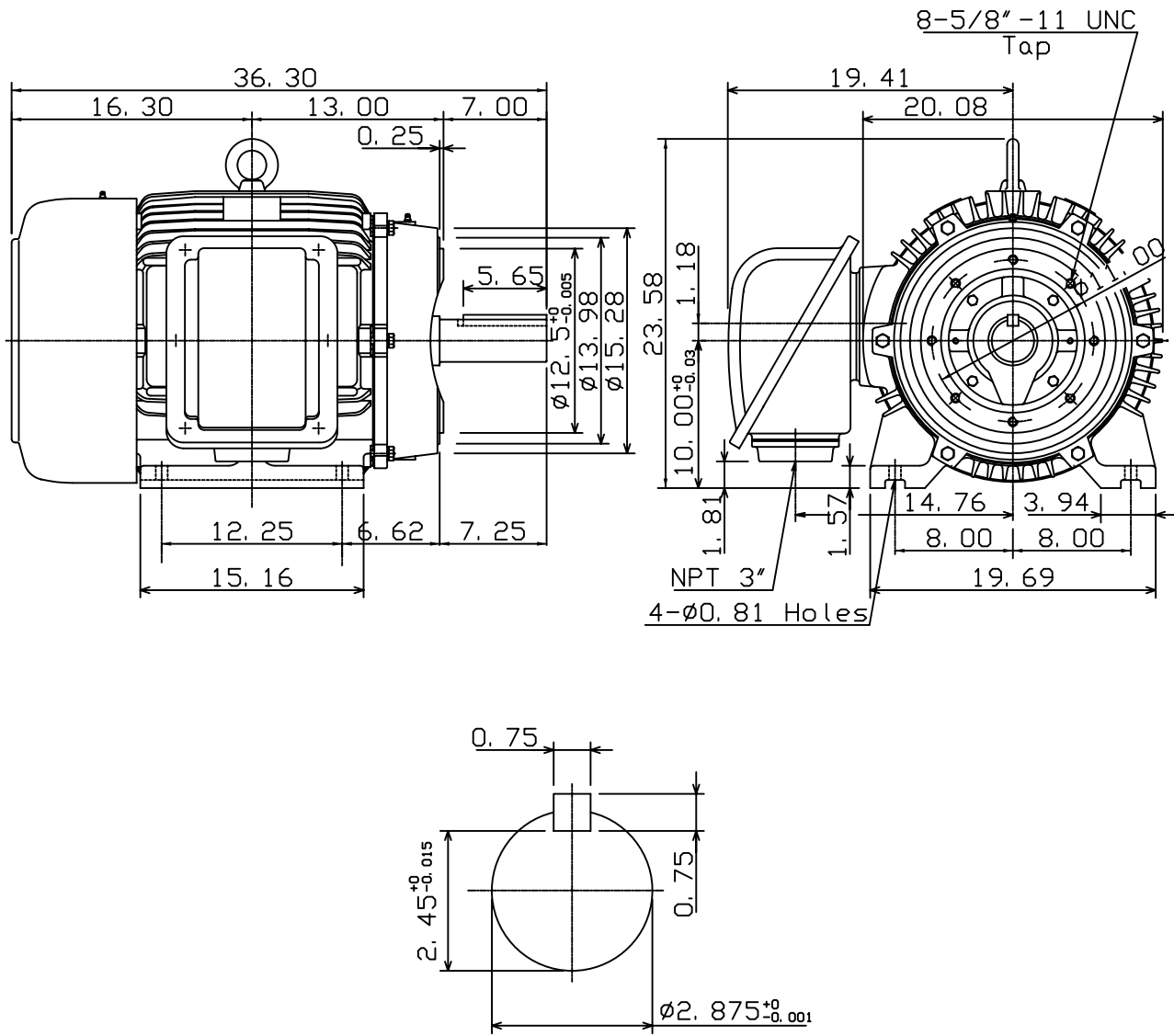
DATE
Oct. 27, 2008
CAT. #: EP0606C-50

OUTLINE DIMENSIONS
3-PHASE INDUCTION MOTOR

MOTOR TYPE:
AEHH8N-CF
FRAME NO. 404TC

Pole	HP	kW	Hz	VOLT	Syn. Speed r/min(rpm)
6	60	45	50	190/380	1000
Ins	Rating	Dimension in	Approx Weight	Bearings	
F	CONT.	inches	1190 lbs	DE: 6317	NDE: 6313

Totally Enclosed Fan Cooled Type. Squirrel-cage Rotor.



01. 11. 05 K. L. KUO

DWN.	J. T. HWANG	07-21-97
CHKD.	C. H. KAO	07-21-97
APPD.	Y. B. HUANG	07-21-97



DWG NO.
31049M277042