

DATE
JUNE 21, 2005
CATALOG NO.
EPO604

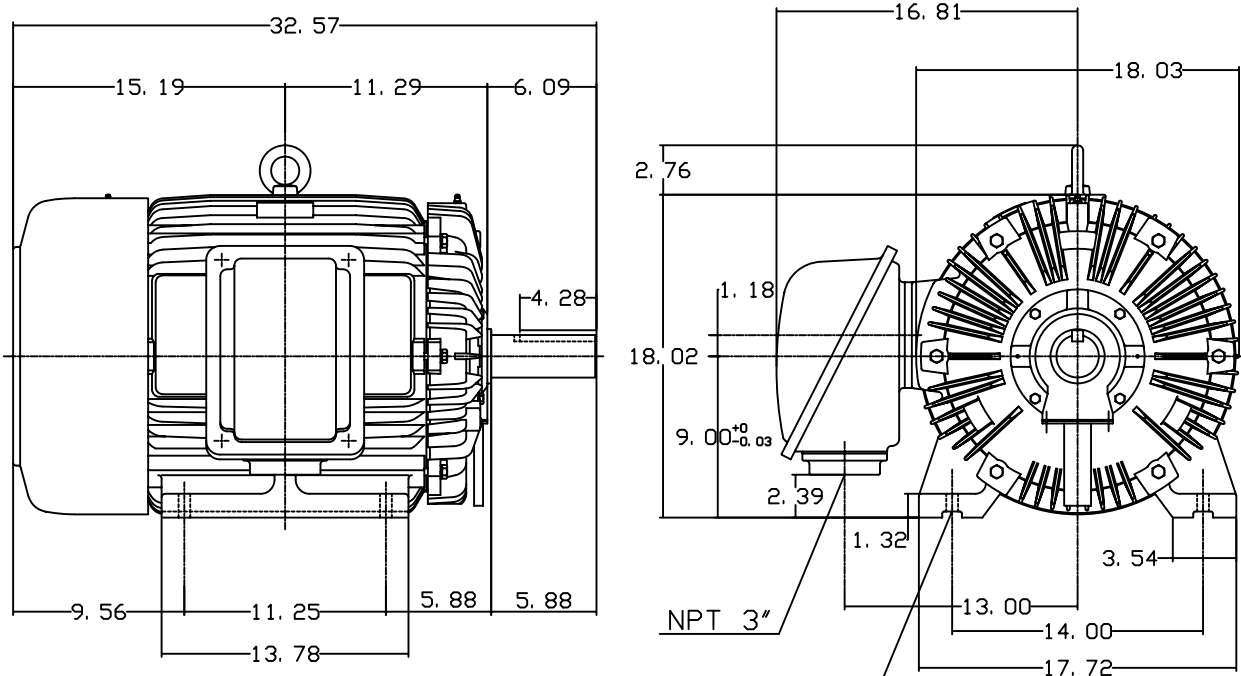
OUTLINE DIMENSIONS
3-PHASE INDUCTION MOTOR

MOTOR TYPE:
AEHH8N
FRAME NO. 364T

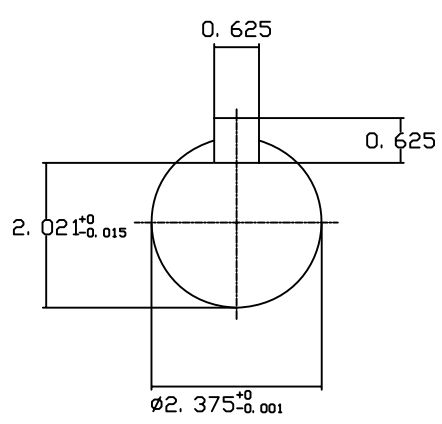
Pole	HP	KW	Hz	VOLT	Syn. Speed RPM
4	60	45	60	230/460	1800

Ins	Rating	Dimension in	Approx Weight	Bearings	
F	CONT.	inches	898 lbs.	DE: 6313	NDE: 6213

Totally Enclosed Fan-Cooled Type. Squirrel-Cage Rotor.



4-Ø0.66 Holes



◇		
---	--	--

DWN.	J. H. LIANG	11-30-98
CHKD.	C. H. KAD	12-26-98
APP'D.	Y. B. HUANG	12-26-98



DWG NO.
31057H368000