

DATE
Sept. 25, 2006
Cat. #: EP0602C

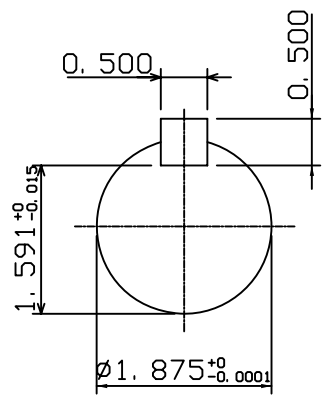
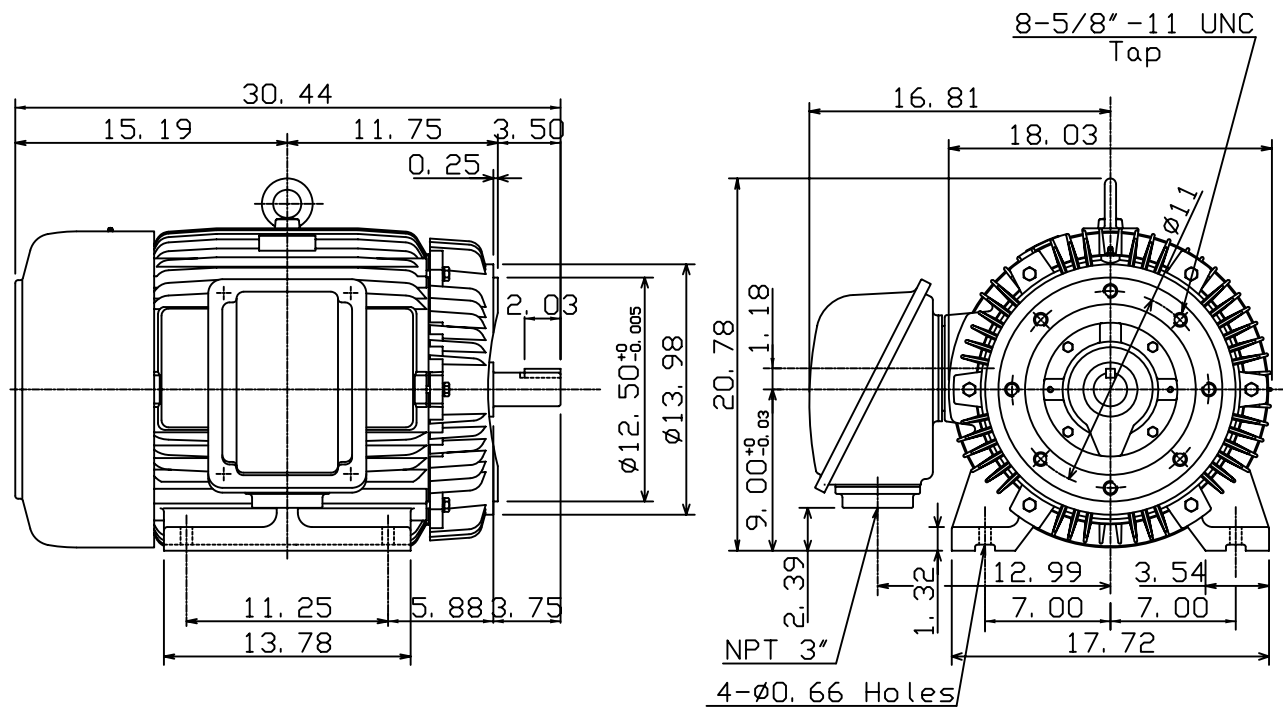
OUTLINE DIMENSIONS
3-PHASE INDUCTION MOTOR

MOTOR TYPE:
AEHH8N-CF
FRAME NO. 364TSC

Pole	HP	kW	Hz	VOLT	Syn. Speed r/min(rpm)
2	60	44.8	60	230/460	3600

Ins	Rating	Dimension in	Approx Weight	Bearings
F	CONT.	inches	839 lbs	DE: 6312C3 NDE: 6212C3

Totally Enclosed Fan Cooled Type. Squirrel-cage Rotor.



① 01. 11. 05 K. L. KUO

DWN. W. C. LAY 07-21-97
CHKD. C. H. KAO 07-21-97
APPD. Y. B. HUANG 07-21-97



DWG NO.
31049J716091