

DATE
JUNE 21, 2005
CATALOG NO.
EPO6025

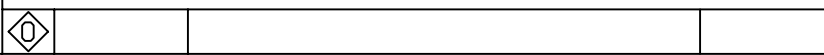
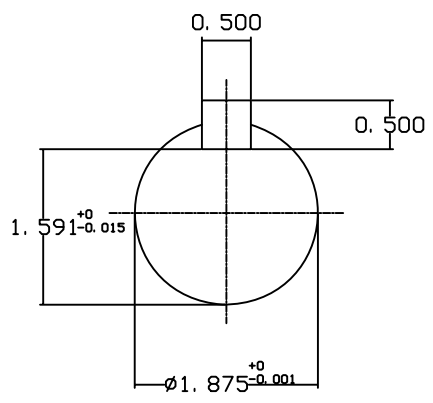
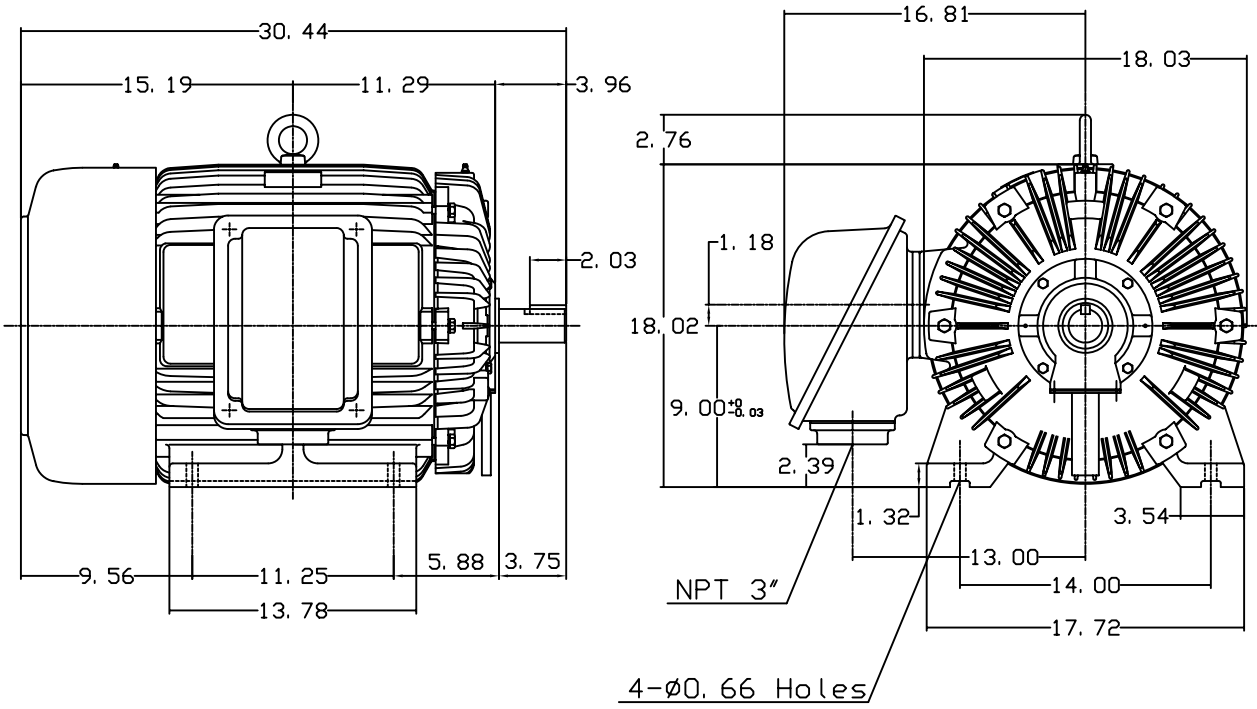
OUTLINE DIMENSIONS
3-PHASE INDUCTION MOTOR

MOTOR TYPE:
AEHH8N
FRAME NO. 364TS

| Pole | HP | KW | Hz | VOLT | Syn. Speed RPM |
|------|----|----|----|------|----------------|
| 2 | 60 | 45 | 60 | 575 | 3600 |

| Ins | Rating | Dimension in | Approx Weight | Bearings |
|-----|--------|--------------|---------------|------------------------|
| F | CONT. | inches | 818 lbs. | DE: 6312C3 NDE: 6212C3 |

Totally Enclosed Fan-Cooled Type. Squirrel-Cage Rotor.



| | | |
|-------|-------------|----------|
| DWN. | J. H. LIANG | 11-30-98 |
| CHKD. | C. H. KAO | 12-26-98 |
| APPD. | Y. B. HUANG | 12-26-98 |



DWG NO.
31057H367000