

DATE  
JUNE 21, 2005  
CATALOG NO.  
EP0602-50

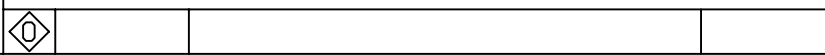
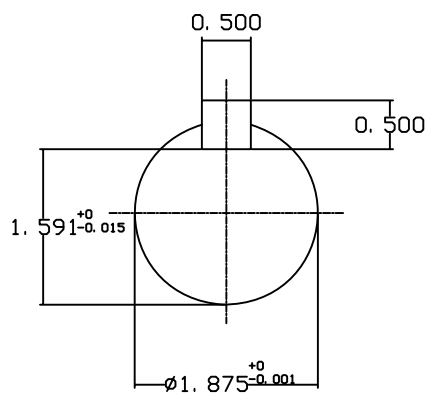
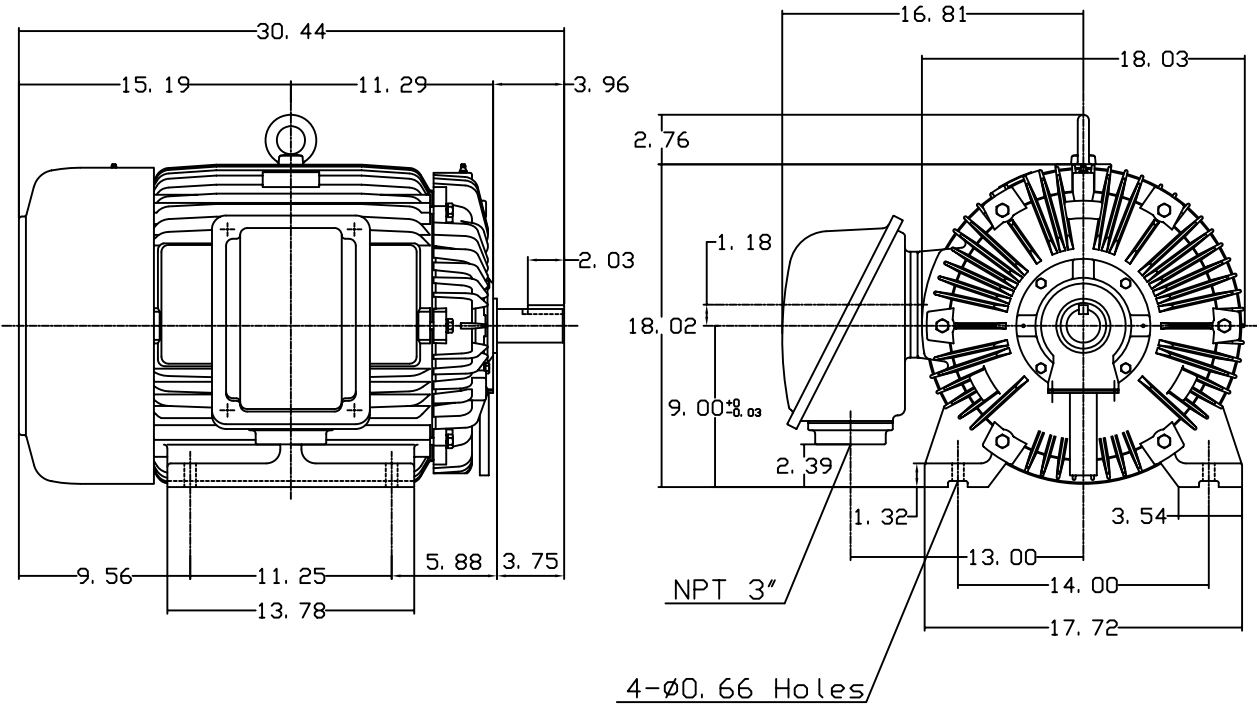
OUTLINE DIMENSIONS  
3-PHASE INDUCTION MOTOR

MOTOR TYPE:  
AEHH8N  
FRAME NO. 364TS

| Pole | HP | KW | Hz | VOLT    | Syn. Speed<br>RPM |
|------|----|----|----|---------|-------------------|
| 2    | 60 | 45 | 50 | 190/380 | 3000              |

| Ins | Rating | Dimension in | Approx Weight | Bearings               |
|-----|--------|--------------|---------------|------------------------|
| F   | CONT.  | inches       | 818 lbs.      | DE: 6312C3 NDE: 6212C3 |

Totally Enclosed Fan-Cooled Type. Squirrel-Cage Rotor.



|        |             |          |
|--------|-------------|----------|
| DWN.   | J. H. LIANG | 11-30-98 |
| CHKD.  | C. H. KAO   | 12-26-98 |
| APP'D. | Y. B. HUANG | 12-26-98 |



DWG NO.  
31057H367000