

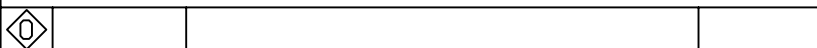
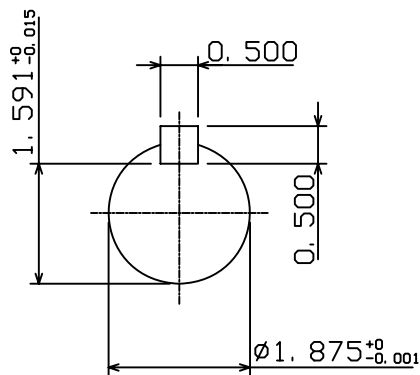
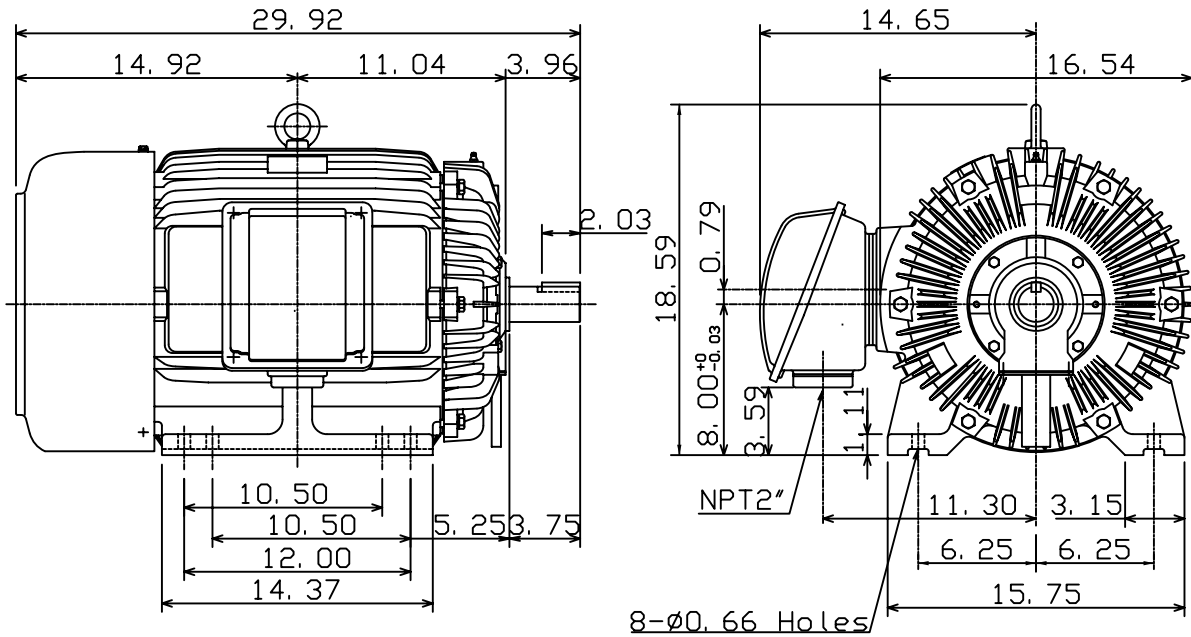
DATE  
Feb. 16, 2007  
CAT. #: EPO504S-50

OUTLINE DIMENSIONS  
3-PHASE INDUCTION MOTOR

MOTOR TYPE:  
AEHH8N  
FRAME NO. 326TS

Pole	HP	kW	Hz	VOLT	Syn. Speed r/min(rpm)
4	50	37.3	50	190/380	1500
Ins	Rating	Dimension in	Approx Weight	Bearings	
F	CONT.	inches	725 lbs.	DE: 6312	NDE: 6212

Totally Enclosed Fan-Cooled Type. Squirrel-Cage Rotor.



DWN.	K. L. KUO	01-10-05
CHKD.	C. H. KAO	01-28-05
APPD.	M. C. TSAI	01-28-05

TEC   Westinghouse

DWG NO.  
31057H365240A