

DATE
Sept. 8, 2005
CAT. #: EPO504

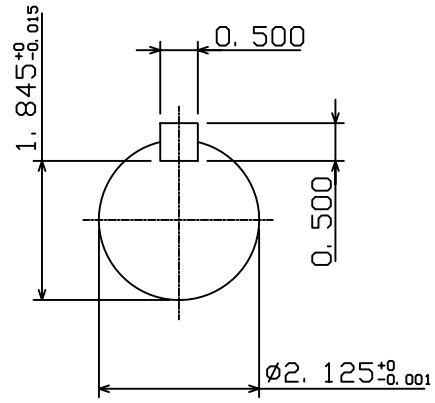
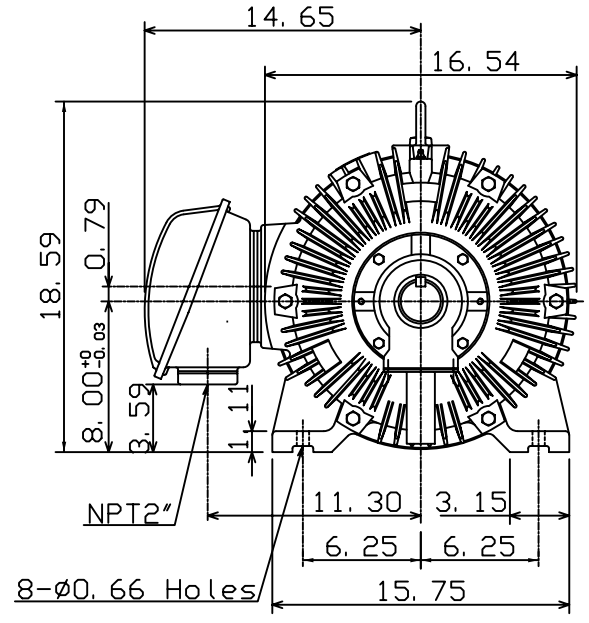
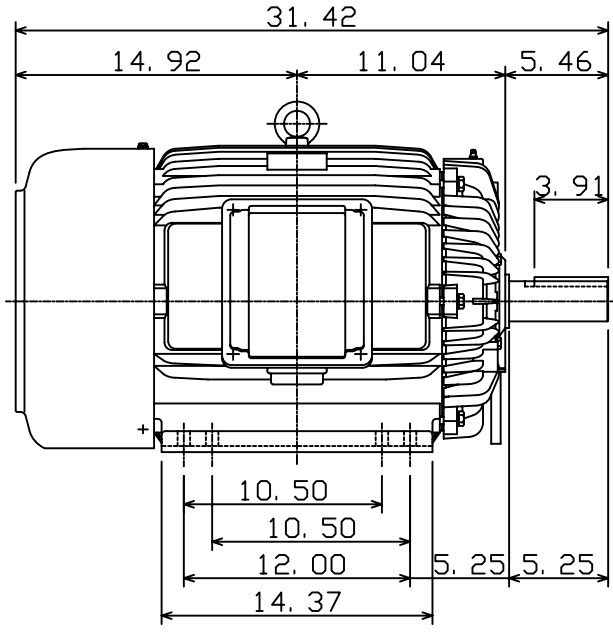
OUTLINE DIMENSIONS
3-PHASE INDUCTION MOTOR

MOTOR TYPE:
AEHH8N
FRAME NO. 326T

| Pole | HP | kW | Hz | VOLT | Syn. Speed r/min(rpm) |
|------|----|------|----|---------|--------------------------|
| 4 | 50 | 37.3 | 60 | 230/460 | 1800 |

| Ins | Rating | Dimension in | Approx Weight | Bearings | |
|-----|--------|--------------|---------------|----------|-----------|
| F | CONT. | inches | 739 lbs. | DE: 6312 | NDE: 6212 |

Totally Enclosed Fan-Cooled Type. Squirrel-Cage Rotor.



| | | |
|-------|------------|----------|
| DWN. | K. L. KUD | 01-10-05 |
| CHKD. | C. H. KAD | 01-28-05 |
| APPD. | M. C. TSAI | 01-28-05 |



DWG NO.
31057H366320