

DATE  
JUNE 21, 2005  
CATALOG NO.  
EP0252-50

# OUTLINE DIMENSIONS

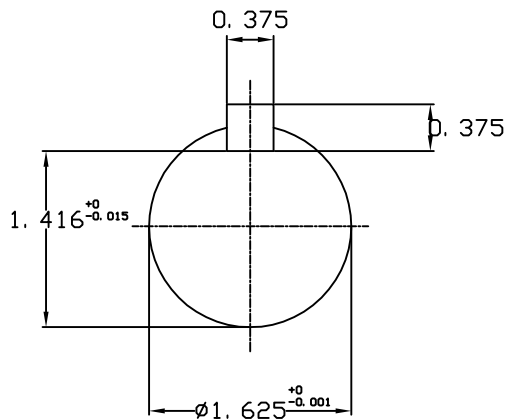
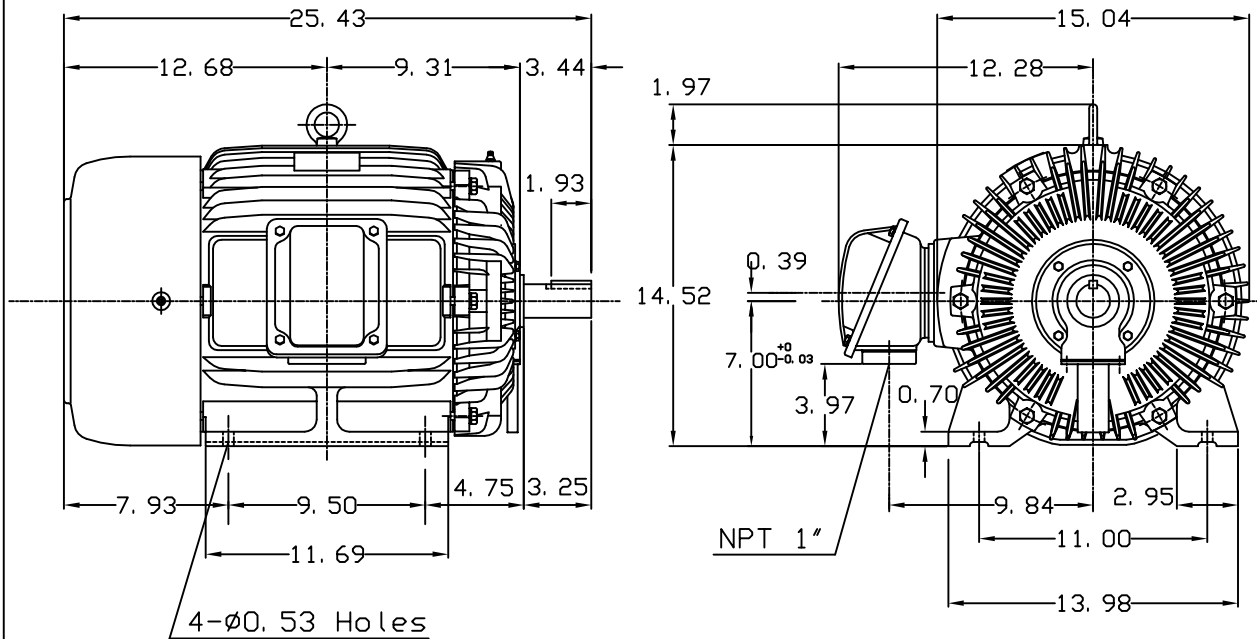
## 3-PHASE INDUCTION MOTOR

MOTOR TYPE:  
AEHH8N  
FRAME NO. 284TS

| Pole | HP | KW    | Hz | VOLT    | Syn. Speed<br>RPM |
|------|----|-------|----|---------|-------------------|
| 2    | 25 | 18.65 | 50 | 190/380 | 3000              |

| Ins | Rating | Dimension in | Approx Weight | Bearings               |
|-----|--------|--------------|---------------|------------------------|
| F   | CONT.  | inches       | 418 lbs.      | DE: 6211C3 NDE: 6211C3 |

Totally Enclosed Fan Cooled Type. Squirrel-cage Rotor.



|       |             |          |
|-------|-------------|----------|
| DWN.  | J. H. LIANG | 11-30-98 |
| CHKD. | C. H. KAO   | 12-26-98 |
| APPD. | Y. B. HUANG | 12-26-98 |

TECO Westinghouse

DWG NO.  
31057H359000