

DATE
Sept. 25, 2006
Cat. #: EP0204C-50

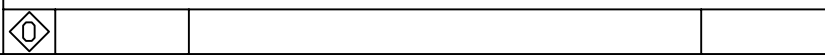
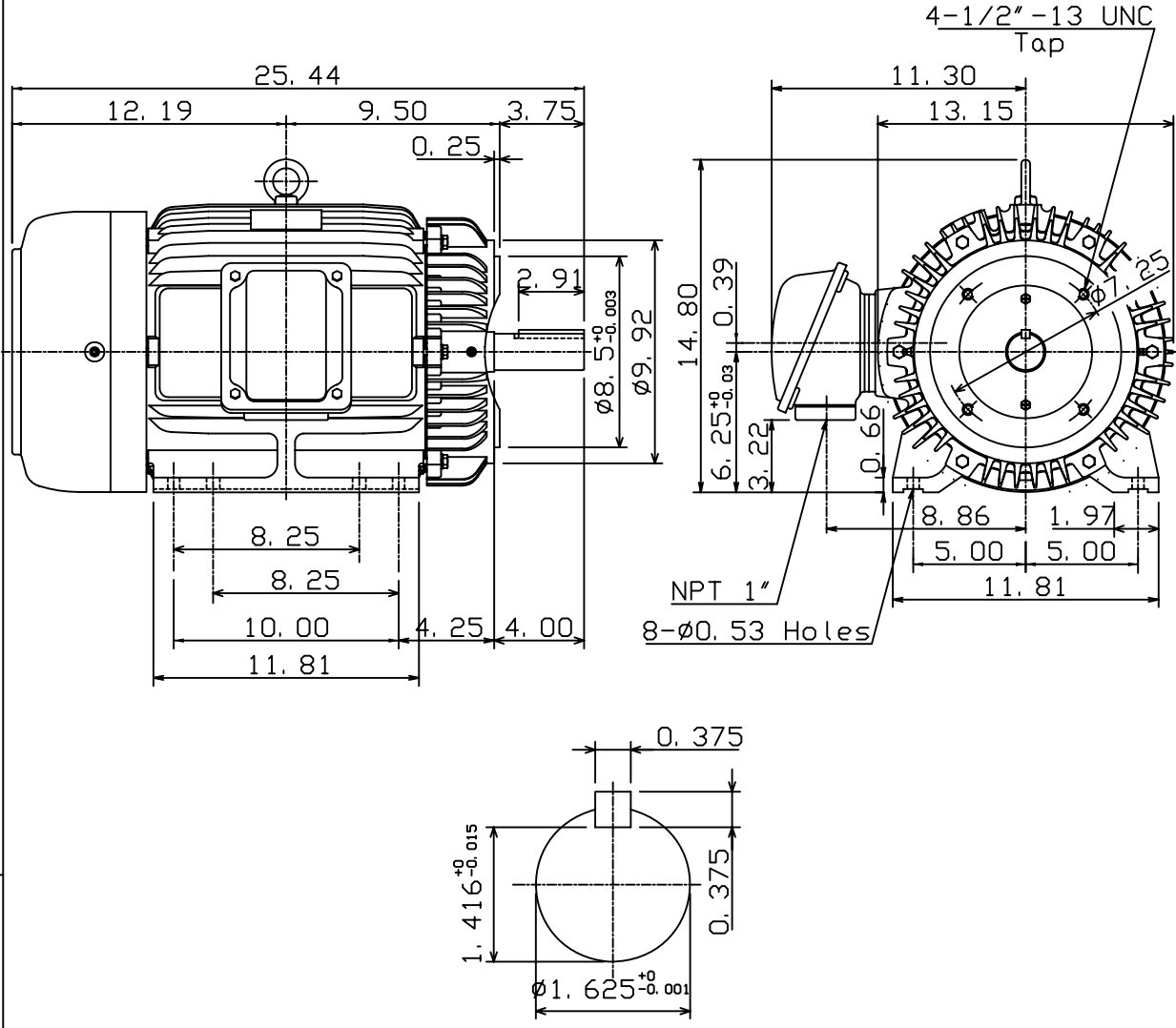
OUTLINE DIMENSIONS
3-PHASE INDUCTION MOTOR

MOTOR TYPE:
AEHH8N-CF
FRAME NO. 256TC

Pole	HP	kW	Hz	VOLT	Syn. Speed r/min(rpm)
4	20	15	50	190/380	1500

Ins	Rating	Dimension in	Approx Weight	Bearings	
F	CONT.	inches	350 lbs	DE: 6309ZZ	NDE: 6307ZZ

Totally Enclosed Fan Cooled Type. Squirrel-cage Rotor.



DWN.	K. L. KUO	01-10-05
CHKD.	C. H. KAO	01-28-05
APPD.	M. C. TSAI	01-28-05



DWG NO.
31049J812160