

DATE  
Sept. 8, 2005  
CAT. #: EPO2025

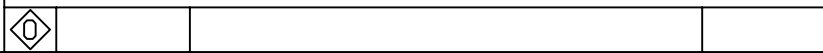
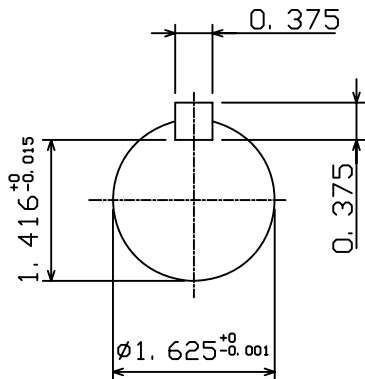
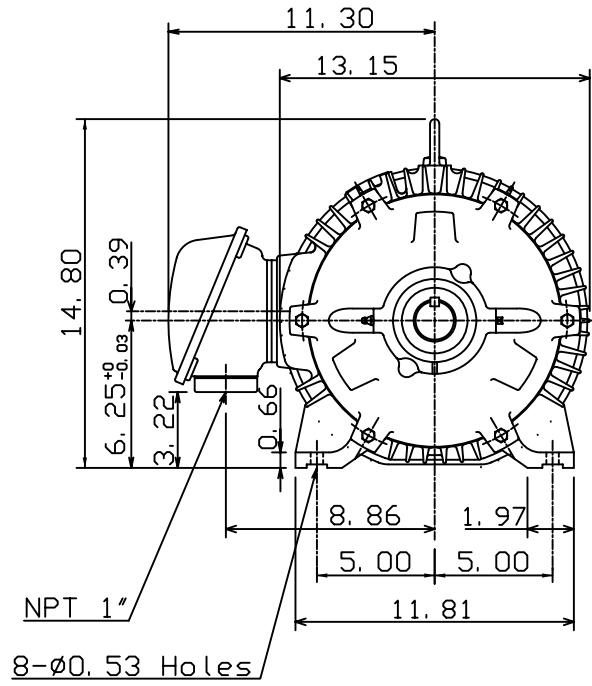
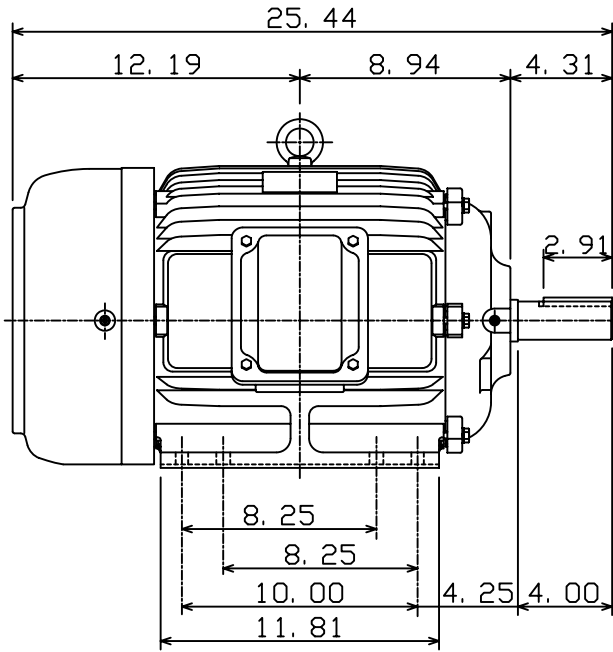
OUTLINE DIMENSIONS  
3-PHASE INDUCTION MOTOR

MOTOR TYPE:  
AEHH8N  
FRAME NO. 256T

| Pole | HP | kW   | Hz | VOLT | Syn. Speed<br>r/min(rpm) |
|------|----|------|----|------|--------------------------|
| 2    | 20 | 15.0 | 60 | 575  | 3600                     |

| Ins | Rating | Dimension in | Approx Weight | Bearings               |
|-----|--------|--------------|---------------|------------------------|
| F   | CONT.  | inches       | 330 lbs.      | DE: 6309ZZ NDE: 6307ZZ |

Totally Enclosed Fan-Cooled Type. Squirrel-cage Rotor.



|       |            |          |
|-------|------------|----------|
| DWN.  | K. L. KUO  | 01-10-05 |
| CHKD. | C. H. KAO  | 01-28-05 |
| APPD. | M. C. TSAI | 01-28-05 |



DWG NO.  
31057H358520