

DATE
Sept. 25, 2006
Cat. #: EP0154C-50

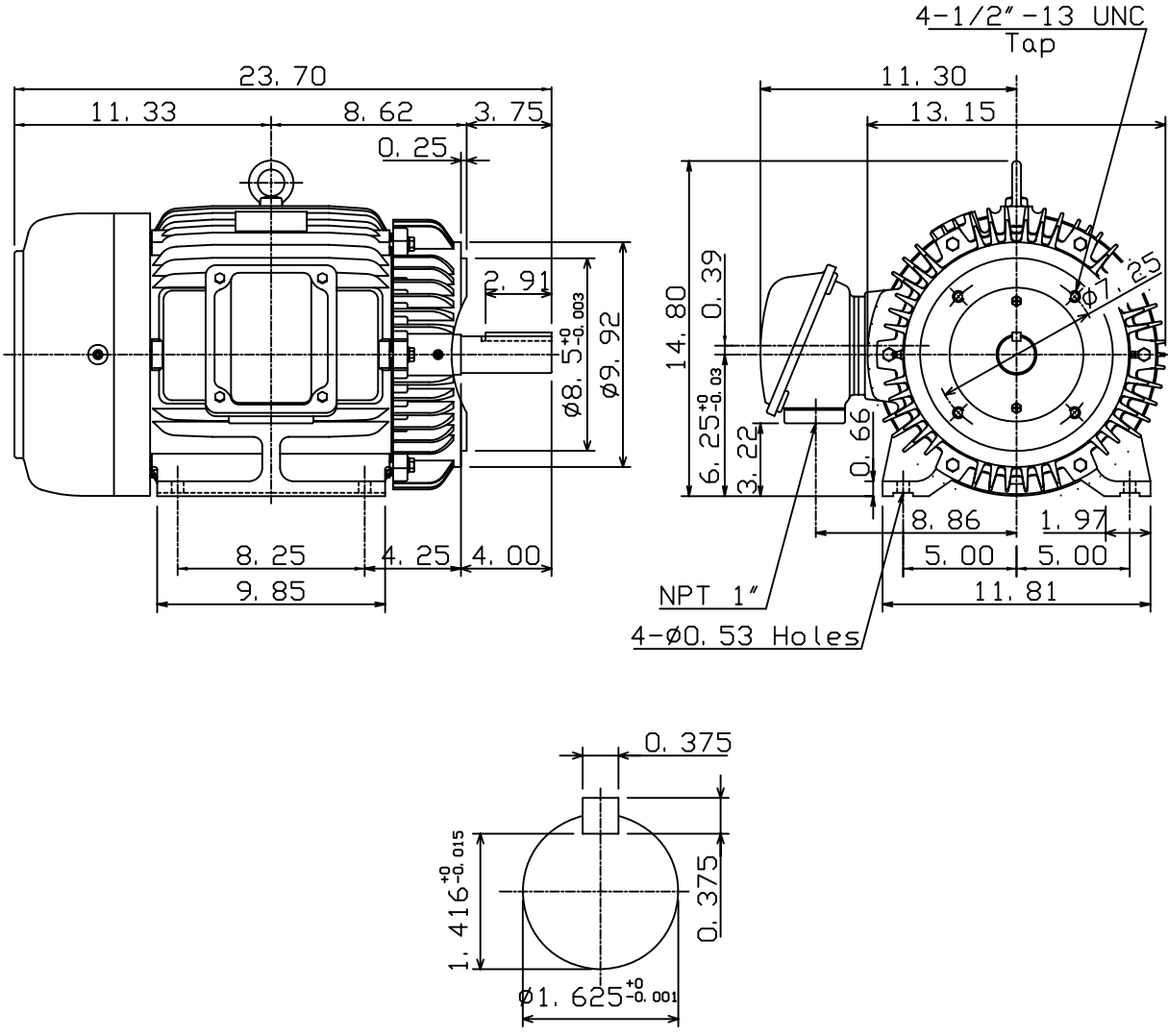
OUTLINE DIMENSIONS
3-PHASE INDUCTION MOTOR

MOTOR TYPE:
AEHH8N-CF
FRAME NO. 254TC

| Pole | HP | kW | Hz | VOLT | Syn. Speed r/min(rpm) |
|------|----|------|----|---------|--------------------------|
| 4 | 15 | 11.2 | 50 | 190/380 | 1500 |

| Ins | Rating | Dimension in | Approx Weight | Bearings |
|-----|--------|--------------|---------------|------------------------|
| F | CONT. | inches | 310 lbs | DE: 6309ZZ NDE: 6307ZZ |

Totally Enclosed Fan Cooled Type. Squirrel-cage Rotor.



① 01. 10. 05 K. L. KUO

| | | |
|-------|------------|----------|
| DWN. | K. L. KUO | 11-03-04 |
| CHKD. | C. H. KAO | 11-04-04 |
| APPD. | M. C. TSAI | 11-04-04 |



DWG NO.
31049J811191