

DATE  
JUNE 21, 2005  
CATALOG NO.  
EP01525

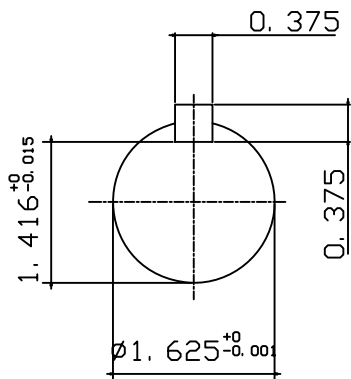
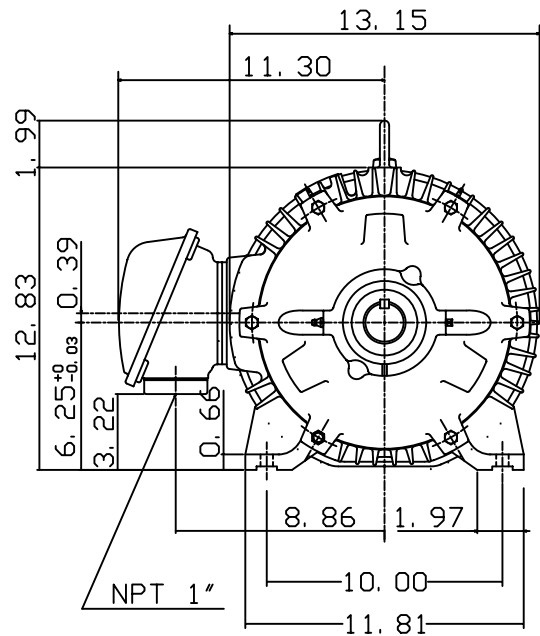
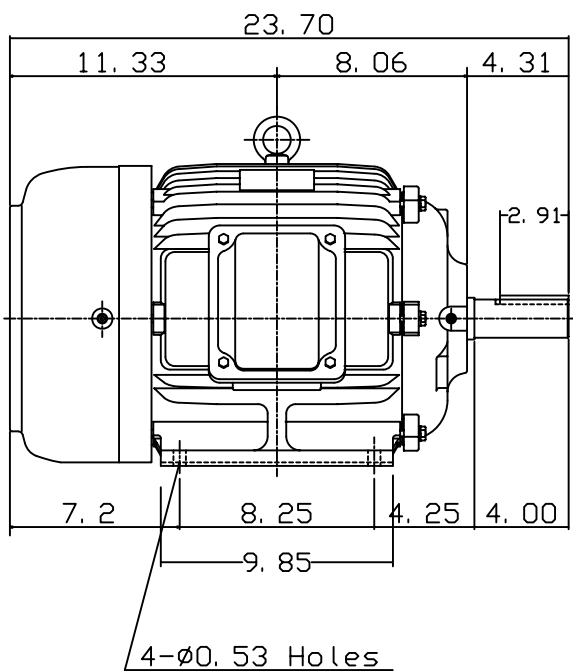
OUTLINE DIMENSIONS  
3-PHASE INDUCTION MOTOR

MOTOR TYPE:  
AEHH8N  
FRAME NO. 254T

Pole	HP	KW	Hz	VOLT	Syn. Speed RPM
2	15	11	60	575	3600

Ins	Rating	Dimension in	Approx Weight	Bearings
F	CONT.	inches	288 lbs.	DE: 6309ZZ NDE: 6307ZZ

Totally Enclosed Fan-Cooled Type. Squirrel-cage Rotor.



DWN. J. H. LIANG 11-30-98  
CHKD. C. H. KAO 12-26-98  
APPD. Y. B. HUANG 12-26-98



DWG NO.  
31057H357002