

DATE
Sept. 25, 2006
Cat. #: EP0106C

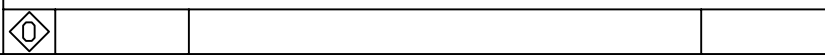
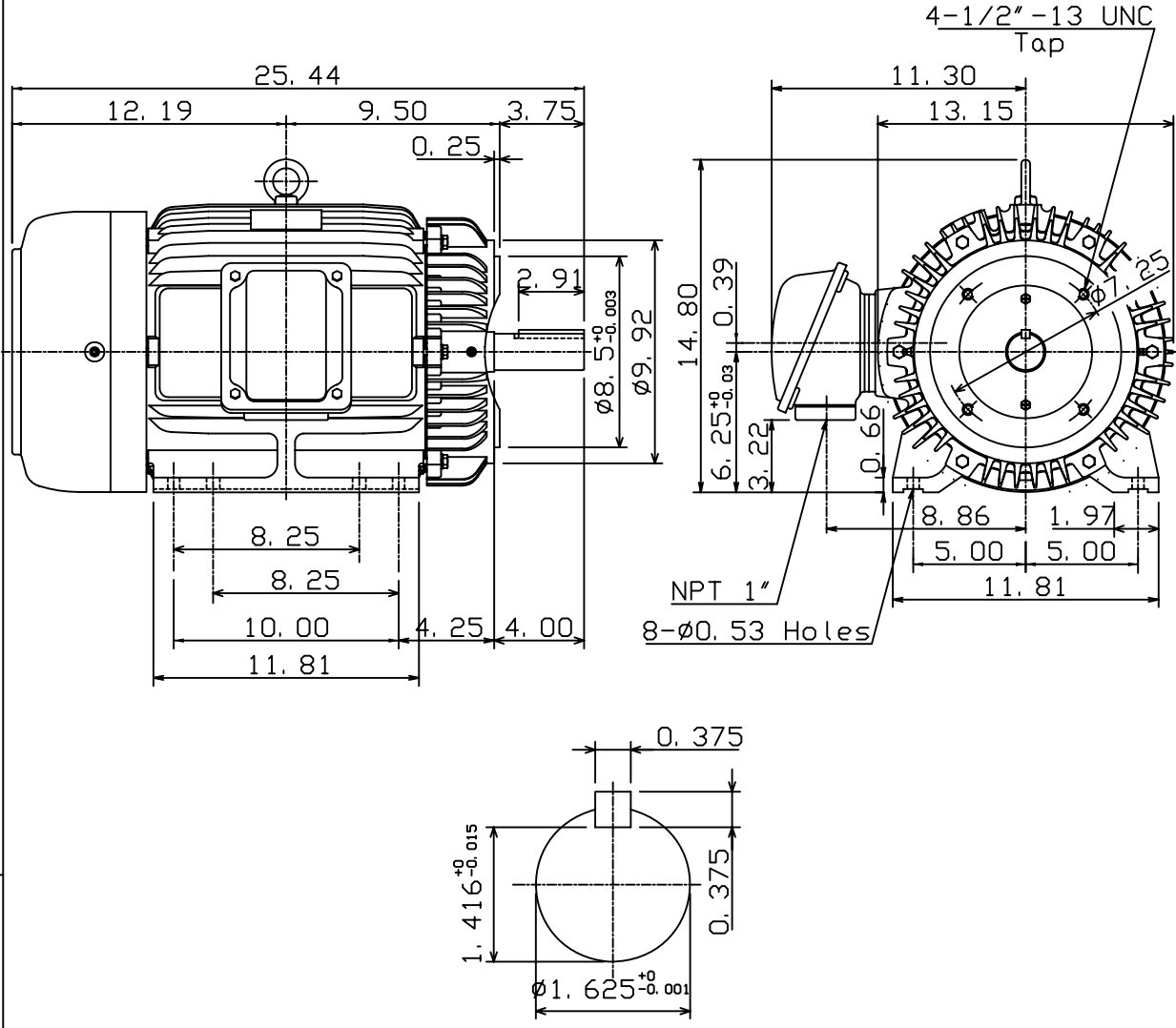
OUTLINE DIMENSIONS
3-PHASE INDUCTION MOTOR

MOTOR TYPE:
AEHH8N-CF
FRAME NO. 256TC

| Pole | HP | kW | Hz | VOLT | Syn. Speed r/min(rpm) |
|------|----|-----|----|---------|--------------------------|
| 6 | 10 | 7.5 | 60 | 230/460 | 1200 |

| Ins | Rating | Dimension in | Approx Weight | Bearings |
|-----|--------|--------------|---------------|------------------------|
| F | CONT. | inches | 350 lbs | DE: 6309ZZ NDE: 6307ZZ |

Totally Enclosed Fan Cooled Type. Squirrel-cage Rotor.



| | | |
|-------|------------|----------|
| DWN. | K. L. KUO | 01-10-05 |
| CHKD. | C. H. KAO | 01-28-05 |
| APPD. | M. C. TSAI | 01-28-05 |



DWG NO.
31049J812160