

DATE  
Sept. 25, 2006

# OUTLINE DIMENSIONS

MOTOR TYPE:  
AEHH8N-CF

Cat. #: EP0056C

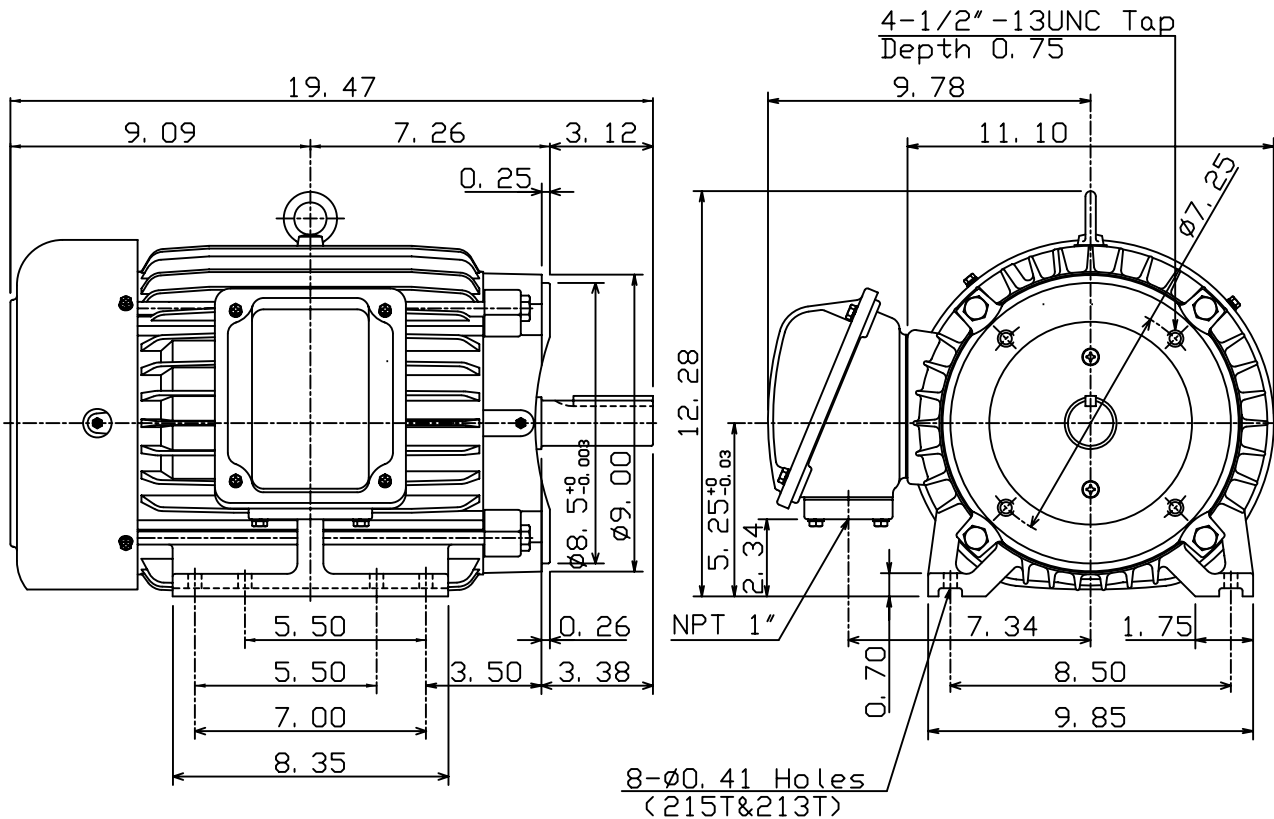
## 3-PHASE INDUCTION MOTOR

FRAME NO. 215TC

Pole	HP	kW	Hz	VOLT	Syn. Speed r/min(rpm)
6	5	3.7	60	230/460	1200

Ins	Rating	Dimension in	Approx Weight	Bearings
F	CONT.	inches	198 lbs	DE: 6308ZZ NDE: 6306ZZ

Totally Enclosed Fan-Cooled Type. Squirrel-Cage Rotor.



DWN.	C. S. LO	12-22-04
CHKD.	C. S. LO	12-27-04
APPD.	M. C. TSAI	12-27-04

**TECO**   **Westinghouse**

DWG NO.  
31049J810530