

DATE
Sept. 25, 2006
Cat. #: EP0056C-50

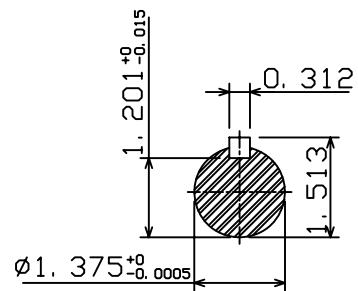
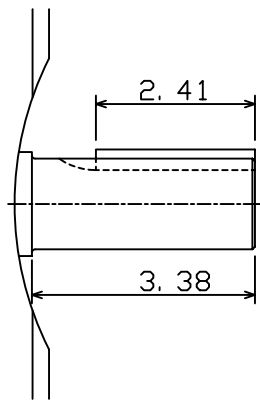
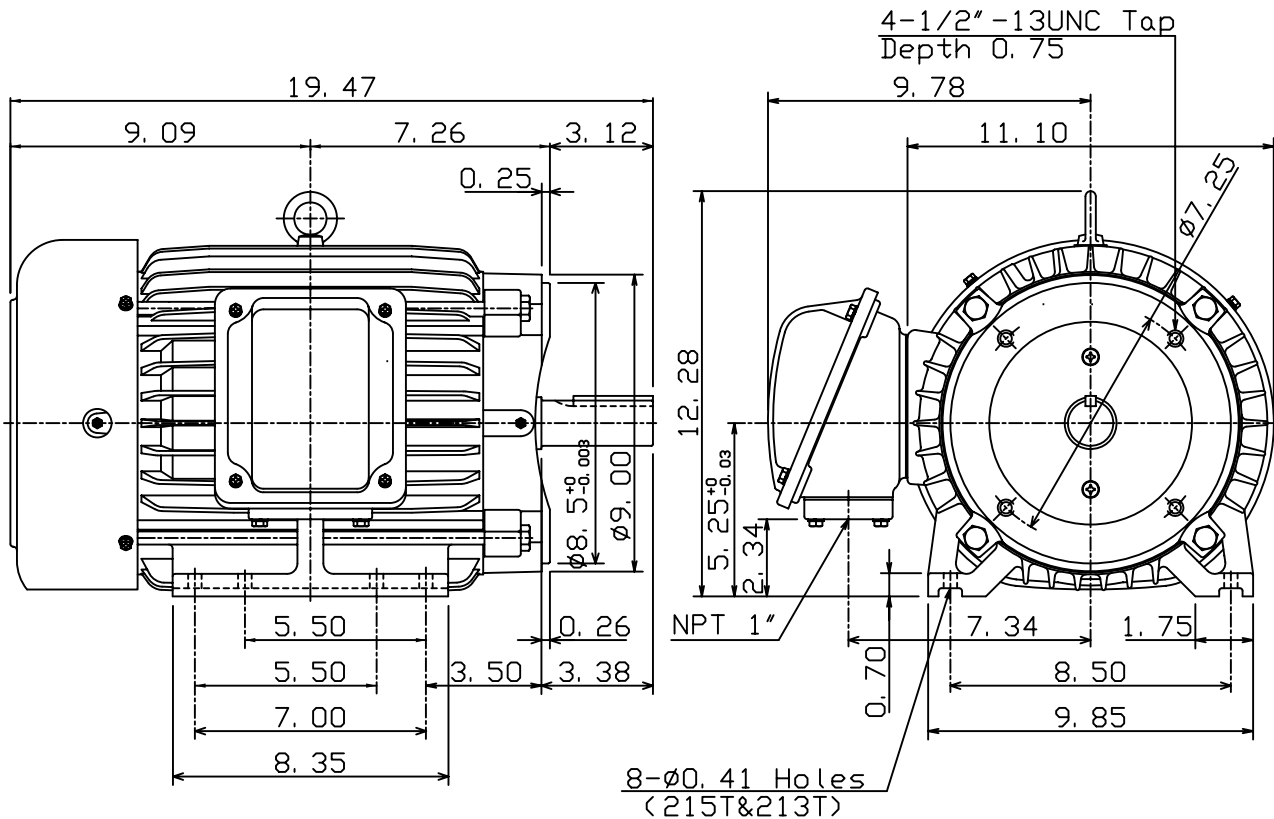
OUTLINE DIMENSIONS

3-PHASE INDUCTION MOTOR

MOTOR TYPE:
AEHH8N-CF
FRAME NO. 215TC

Pole	HP	kW	Hz	VOLT	Syn. Speed r/min(rpm)
6	5	3.7	50	190/380	1000
Ins	Rating	Dimension in	Approx Weight	Bearings	
F	CONT.	inches	198 lbs	DE: 6308ZZ	NDE: 6306ZZ

Totally Enclosed Fan-Cooled Type. Squirrel-Cage Rotor.



DWN.	C. S. LO	12-22-04
CHKD.	C. S. LO	12-27-04
APPD.	M. C. TSAI	12-27-04

TECO   Westinghouse

DWG NO.
31049J810530