

DATE
Sept. 25, 2006

Cat. #: EPO054C

OUTLINE DIMENSIONS

3-PHASE INDUCTION MOTOR

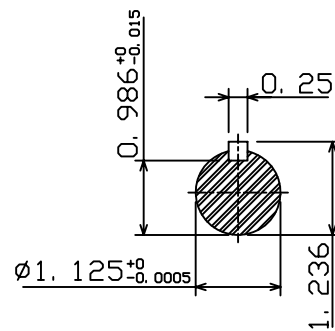
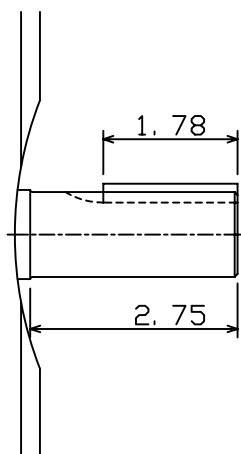
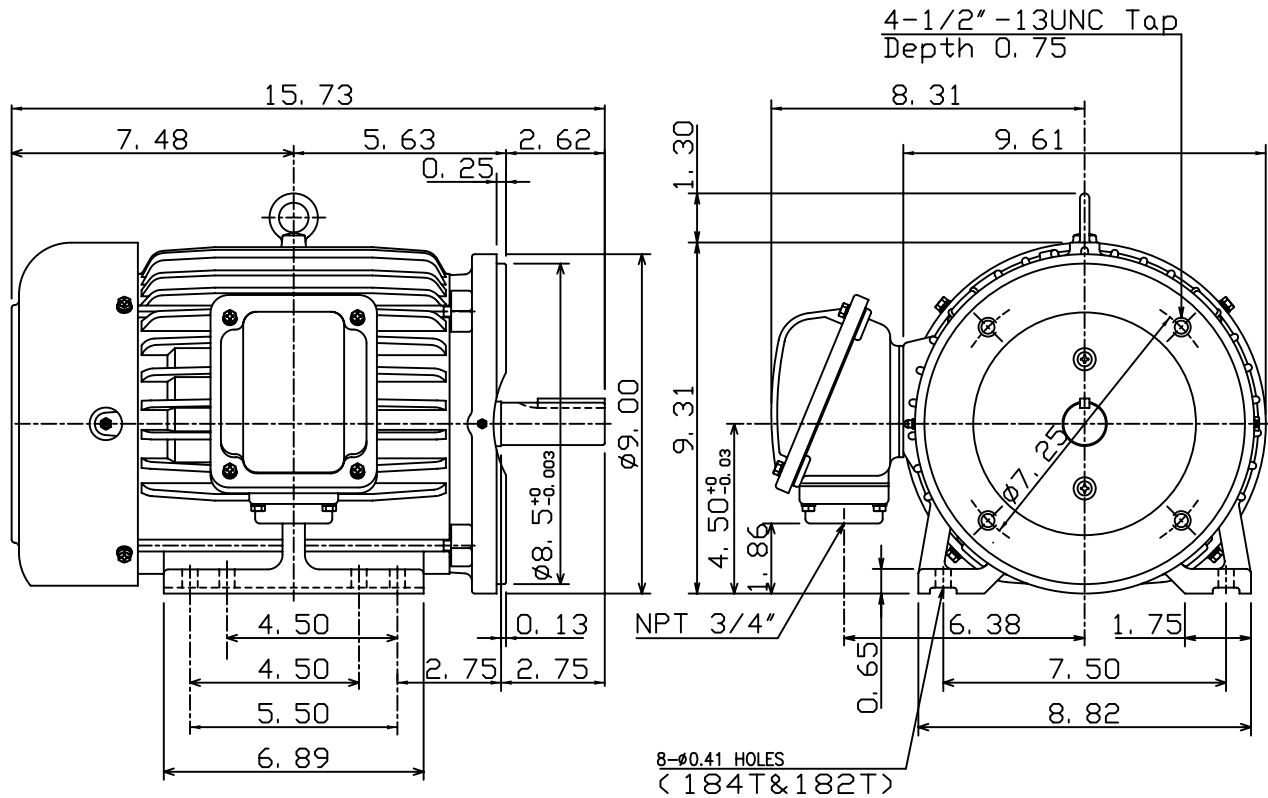
MOTOR TYPE:
AEHH8N-CF

FRAME NO. 184TC

Pole	HP	kW	Hz	VOLT	Syn. Speed r/min(rpm)
4	5	3.73	60	230/460	1800

Ins	Rating	Dimension in	Approx Weight	Bearings
F	CONT.	inches	120 lbs	DE: 6306ZZ NDE: 6306ZZ

Totally Enclosed Fan-Cooled Type, Squirrel-Cage Rotor.



DWN.	C. S. LO	12-22-04
CHKD.	C. S. LO	12-27-04
APPD.	M. C. TSAI	12-27-04

TECO Westinghouse

DWG NO.
31049J808650