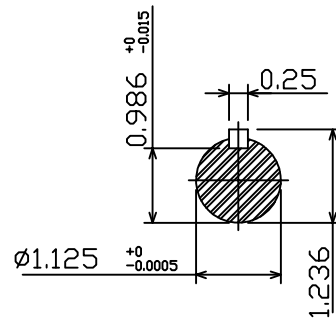
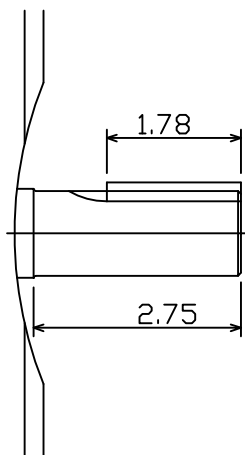
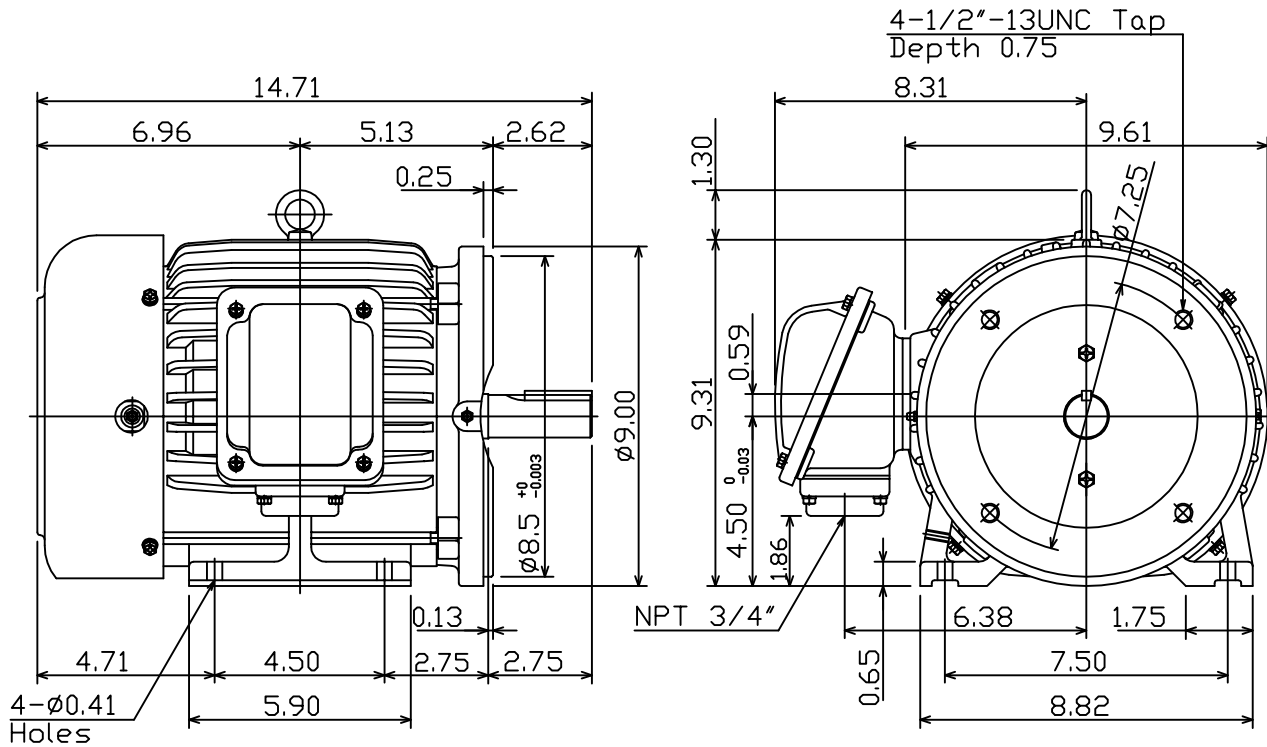


DATE January 20, 2009	OUTLINE DIMENSIONS 3-PHASE INDUCTION MOTOR	MOTOR TYPE: AEHH8N-CF
CAT. #: EP0034C		FRAME NO. 182TC

Pole	HP	kW	Hz	VOLT	Syn.Speed r/min(rpm)
4	3	2.2	60	230/460	1800

Ins	Rating	Dimension in	Approx Weight	Bearings	
F	CONT.	inches	100 lbs	DE: 6306ZZ	NDE: 6306ZZ

Totally Enclosed Fan-Cooled Type.Squirrel-Cage Rotor.



⊕		
---	--	--

DWN. D.V.CHIAN 09-13-04	TEC   Westinghouse	DWG NO.
CHKD. C.S.LO 09-20-04		31049M891080
APPD. M.C.TSAI 09-20-04		