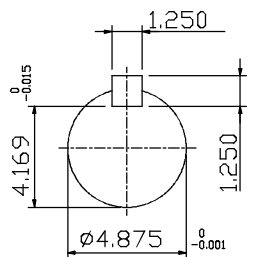
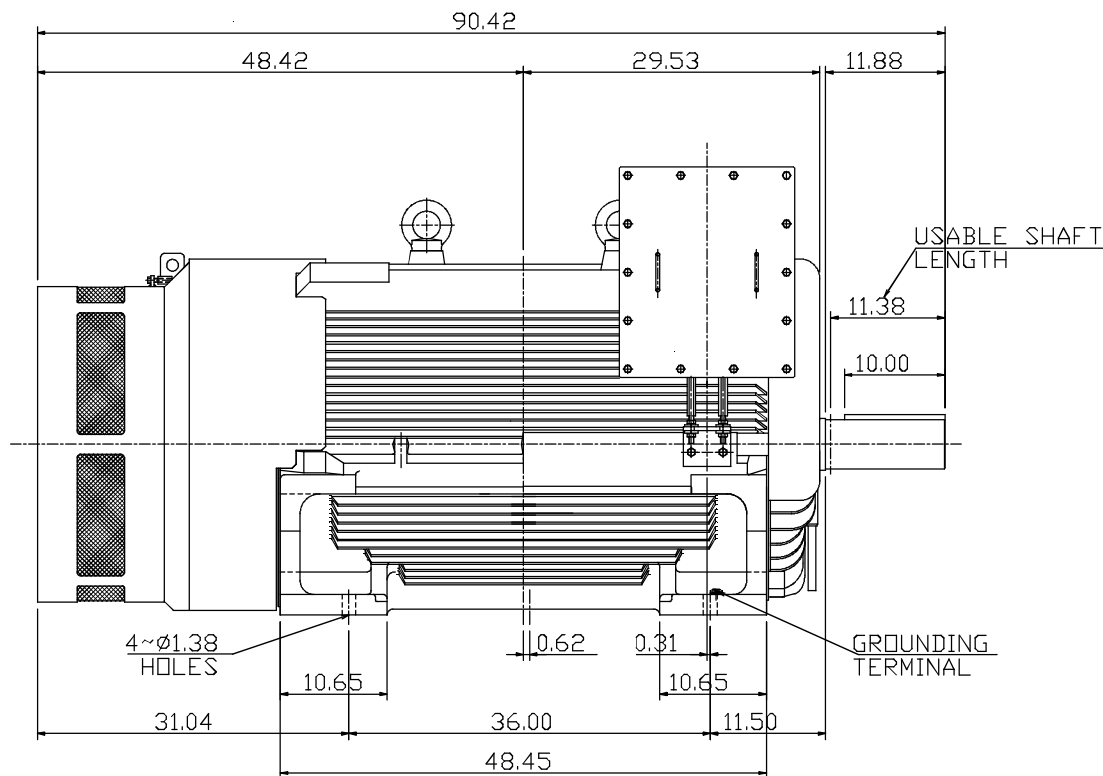
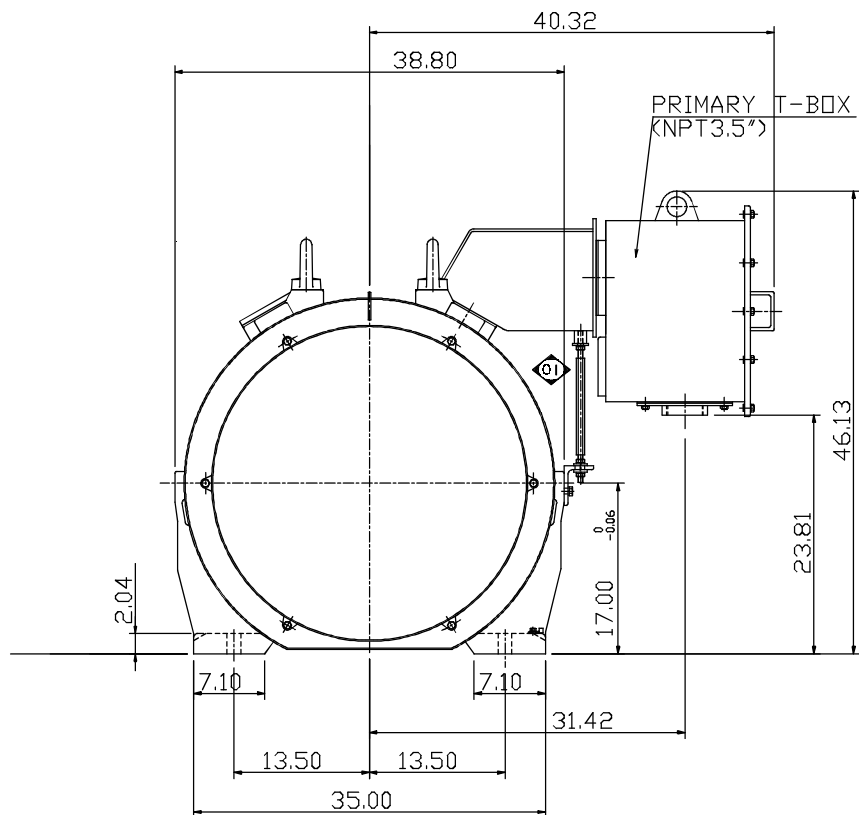


Downloaded from Dealers Industrial Equipment Visit <https://DealersElectric.com> or call (908) 688-1966 for all of your Teeco needs!

TYPE	OUTPUT		POLE	TIME RATING	VOLTAGE V	Hz	SYN.SPEED R.P.M
	HP.	KW.					
AEHE	800	597	8	CONT.	460	60	900

TOTALLY ENCLOSED FAN-COOLED TYPE, SQUIRREL-CAGE ROTOR



SHAFT END
(ENLARGED VIEW)

- NOTE:
1. DIMENSIONS IN INCH
 2. FRAME NO. 6808B
 3. F CLASS INSULATION, S.F.1.15
 4. FOR DIRECT FLEXIBLE COUPLING
 5. ENCLOSURE: IP55
 6. BEARING SIZE: DRIVE-END 6326C3
OPP. DRIVE-END 6322
 7. MOTOR APPROX. WEIGHT: 8850 LBS

DATE	OUTLINE DIMENSIONS	
CATALOG # E8008	3-PHASE INDUCTION MOTOR	
TECO Westinghouse		DWG NO. REV: 01
		4A040G955

DWN.	Y.DU	AUG-29-2011
CHKD.	H.HUANG	AUG-29-2011
APPD.	B.LIN	AUG-29-2011