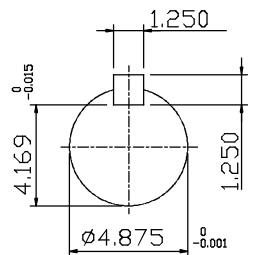
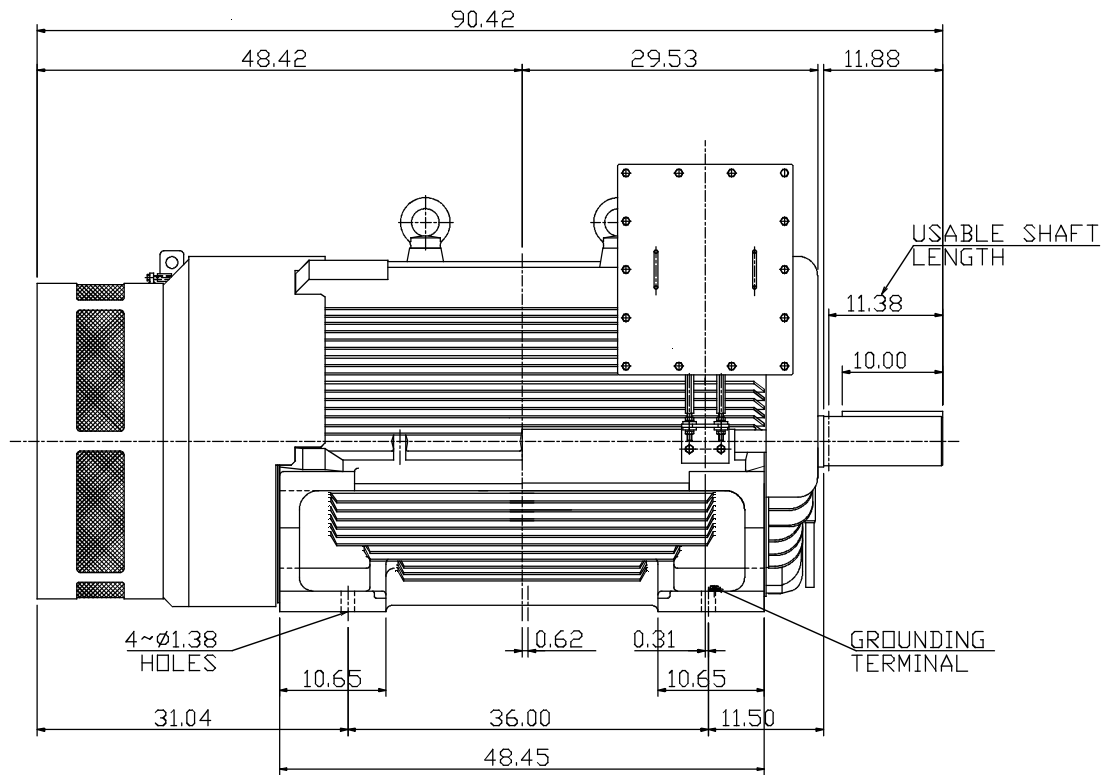
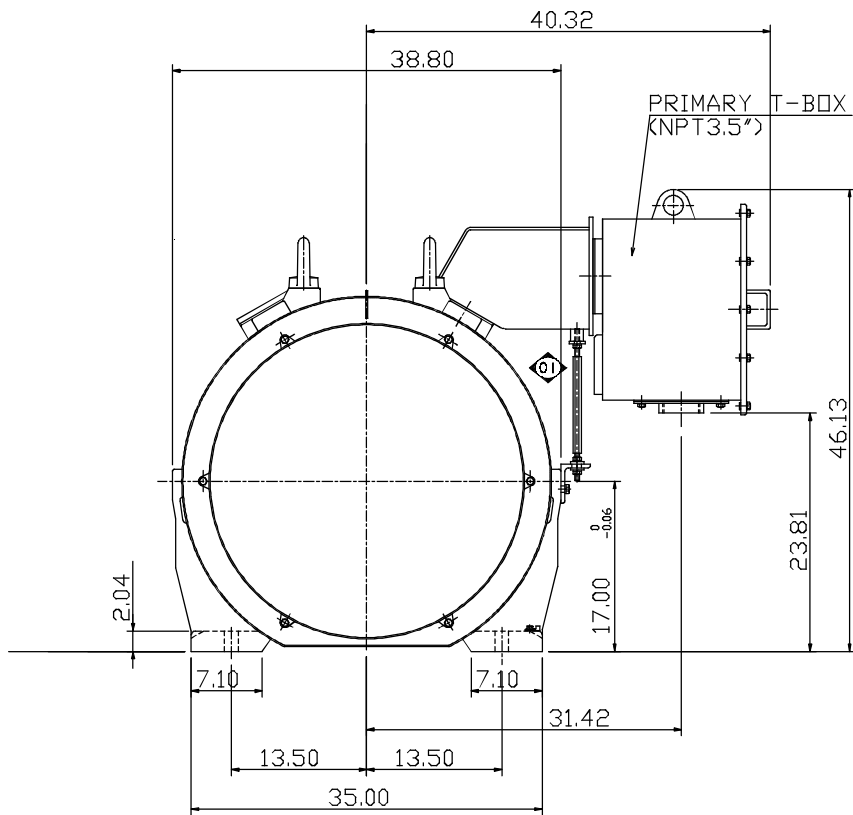


Downloaded from Dealers-Industrial Equipment Visit <https://DealersElectric.com> or call (908) 688-1966 for all of your Teeco needs!

TYPE	OUTPUT		POLE	TIME RATING	VOLTAGE V	Hz	SYN.SPEED R.P.M
	HP.	kW.					
AEHE	800	597	6	CONT.	460	60	1200

TOTALLY ENCLOSED FAN-COOLED TYPE, SQUIRREL-CAGE ROTOR



SHAFT END
(ENLARGED VIEW)

NOTE:

1. DIMENSIONS IN INCH
2. FRAME NO. 6808C
3. F CLASS INSULATION, S.F.1.15
4. FOR BELT DRIVE APPLICATIONS
5. ENCLOSURE: IP55
6. BEARING SIZE: DRIVE-END NU326
OPP. DRIVE-END 6322
7. MOTOR APPROX. WEIGHT: 8000 LBS

DATE	OUTLINE DIMENSIONS
CATALOG # E8006R	3-PHASE INDUCTION MOTOR

DWN.	Y.DU	AUG-29-2011
CHKD.	H.HUANG	AUG-29-2011
APPD.	B.LIN	AUG-29-2011

TECO Westinghouse

DWG NO. REV: 01
4A040G955