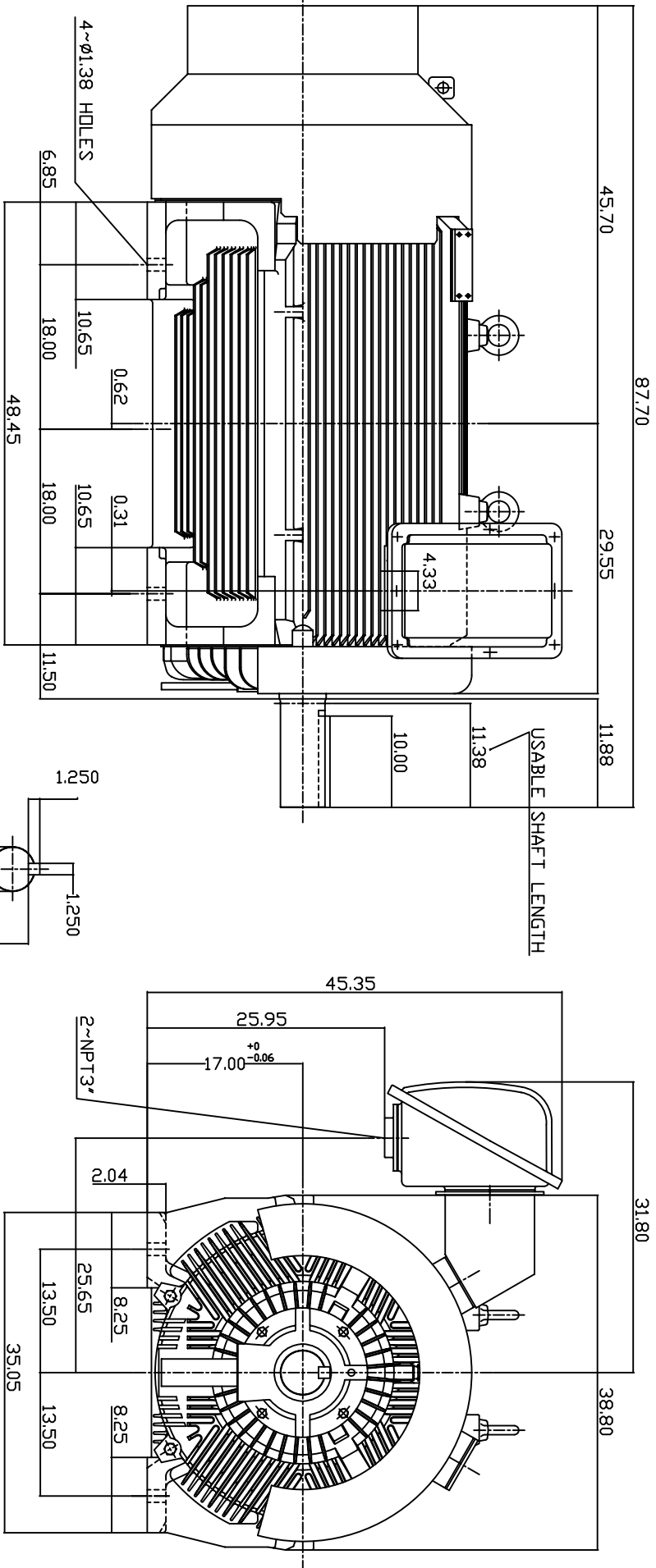


TYPE	OUTPUT		POLE	TIME RATING	VOLTAGE V	Hz	SYN SPEED R.P.M
	HP.	KW.					
AEHE	800	597	6	CDNT.	380	50	1000

TOTALLY ENCLOSED FAN-COOLED TYPE. SQUIRREL-CAGE ROTOR



NOTE:  
 1. DIMENSIONS IN INCH.  
 2. FRAME NO. 6808B  
 3. F CLASS INSULATION, S.F.10  
 4. FOR DIRECT DRIVE APPLICATIONS  
 5. BEARING SIZE: DRIVE END: 6326C3  
 NON-DRIVE END: 6322  
 6. MOTOR APPROX. WEIGHT: 8000 LBS

TW-66C

DVN.	W.LLIN	MAR-04-2003
CHKD.	W.LLIN	MAR-04-2003
APPD.	C.WANG	MAR-04-2003

DATE	APRIL 26, 2004	OUTLINE DIMENSIONS
CATALOG NO.	E8006-50	
3-PHASE INDUCTION MOTOR		DWG NO. 3A040T187-3
TECO Westinghouse		REV: 00