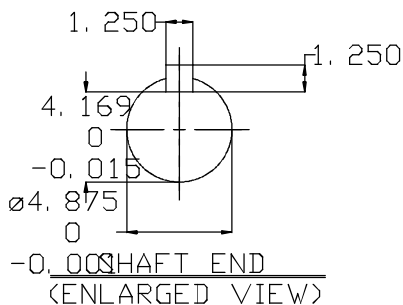
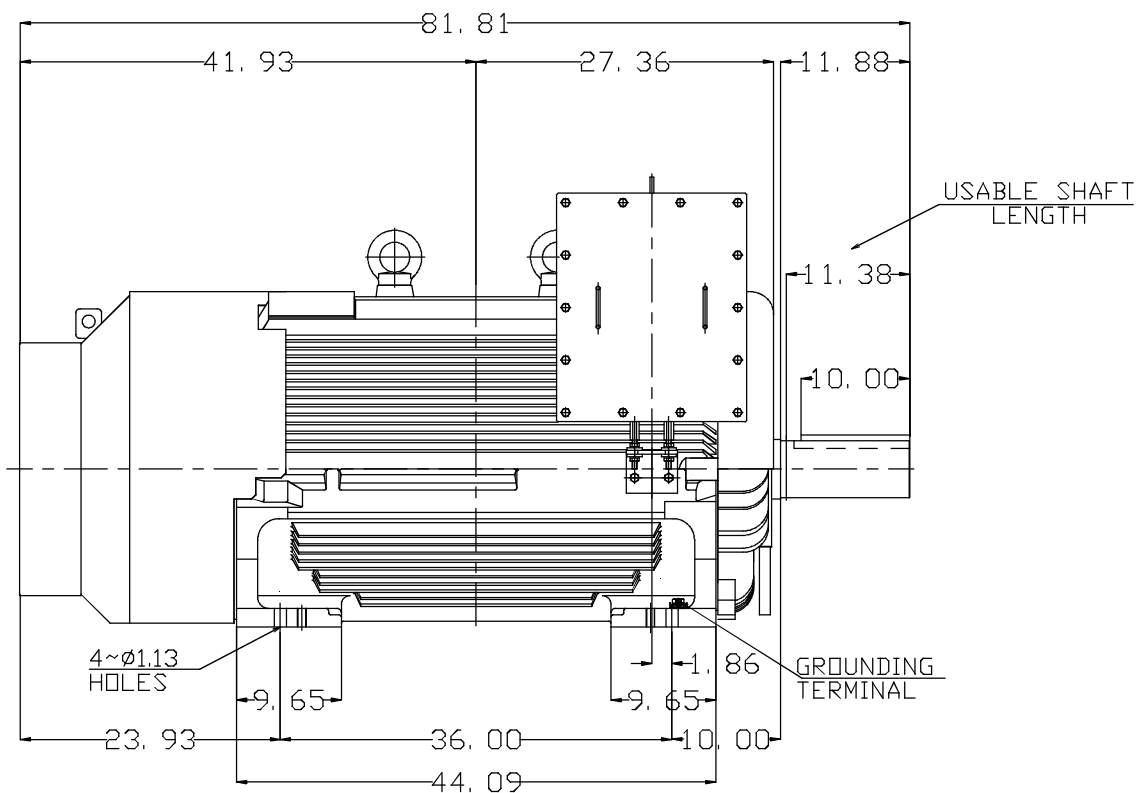
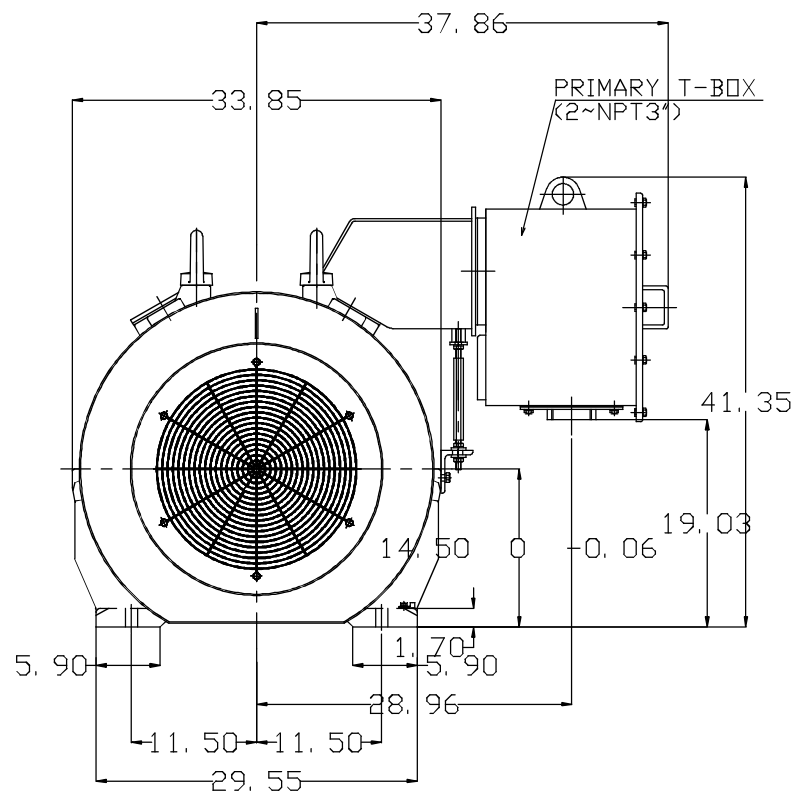


TYPE	OUTPUT		POLE	TIME RATING	VOLTAGE V	Hz	SYN.SPEED R.P.M
	HP.	KW.					
AEHE	800	597	4	CONT.	460	60	1800

TOTALLY ENCLOSED FAN-COOLED TYPE, SQUIRREL-CAGE ROTOR



NOTE:
 1. DIMENSIONS IN inch
 2. FRAME NO. 5810C
 3. F CLASS INSULATION, S.F.1.15
 4. FOR BELT DRIVE APPLICATIONS
 5. ENCLOSURE: IP55
 6. BEARING SIZE: DRIVE-END NU326C3
 OPP. DRIVE-END 6322
 7. MOTOR APPROX. WEIGHT: 7250 lb

DATE	E8004R	OUTLINE DIMENSIONS	
CATALOG #		3-PHASE INDUCTION MOTOR	
DWN. Y.DU	MAR-24-2014	TECO Westinghouse	DWG NO.
CHKD. W.CHENG	MAR-29-2014		REV:00
APPD. C.SHIH	MAR-29-2014		4B040C044