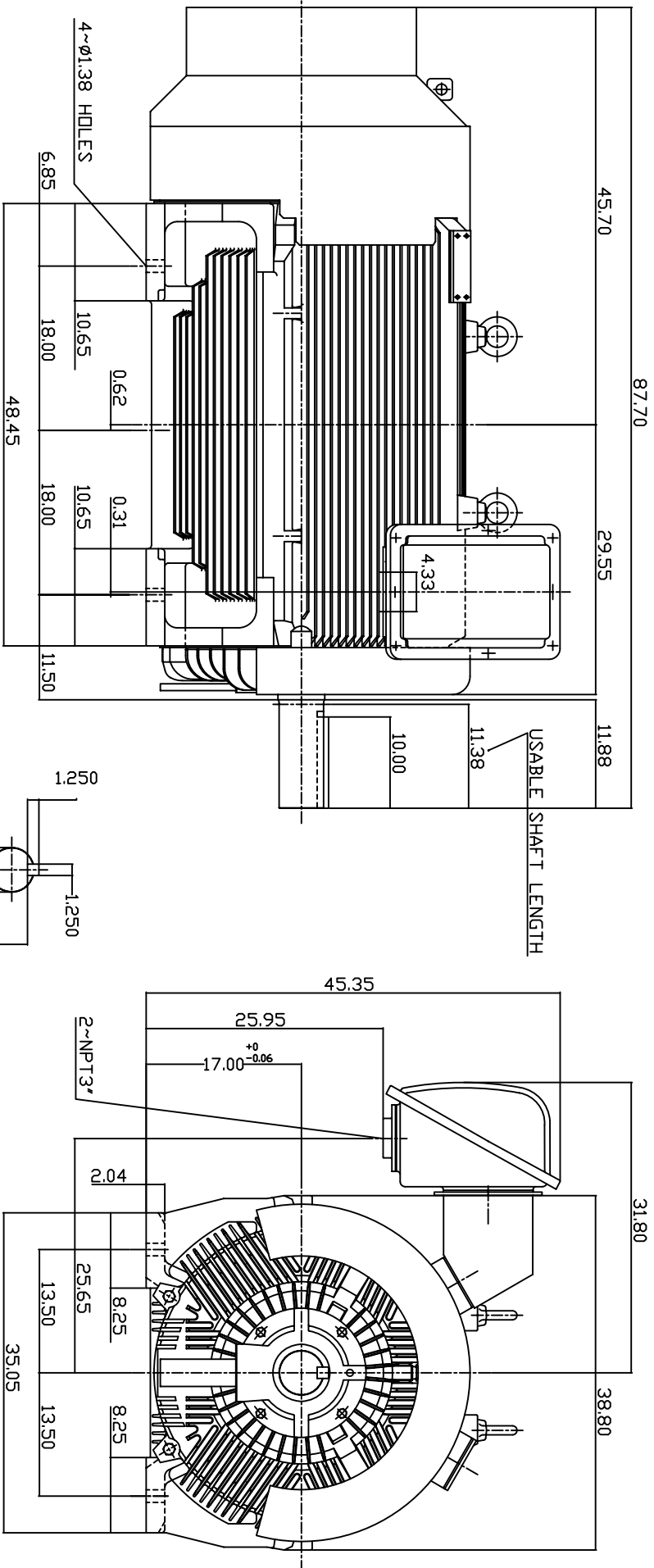
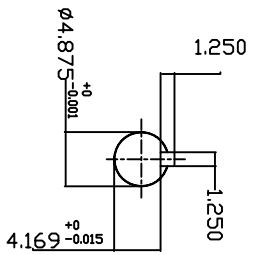


TYPE	OUTPUT		POLE	TIME RATING	VOLTAGE	Hz	SYN SPEED R.P.M
	HP.	KW.					
AEHE	700	522	8	CDNT.	380	50	750

TOTALLY ENCLOSED FAN-COOLED TYPE, SQUIRREL-CAGE ROTOR



- NOTE:
1. DIMENSIONS IN INCH.
 2. FRAME NO. 6808B
 3. F CLASS INSULATION, S.F.10
 4. FOR DIRECT DRIVE APPLICATIONS
 5. BEARING SIZE: DRIVE END: 6326C3
NON-DRIVE END: 6322
 6. MOTOR APPROX. WEIGHT: 8500 LBS



TW-66C

DVN.	W.LLIN	MAR-04-2003
CHKD.	W.LLIN	MAR-04-2003
APPD.	C.WANG	MAR-04-2003

DATE	APRIL 26, 2004	OUTLINE DIMENSIONS
CATALOG NO.	E7008-50	
3-PHASE INDUCTION MOTOR		DWG NO. 3A040T187-1
TECO Westinghouse		REV: 00