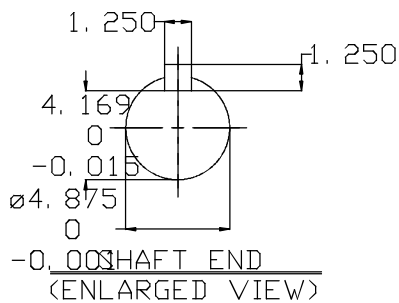
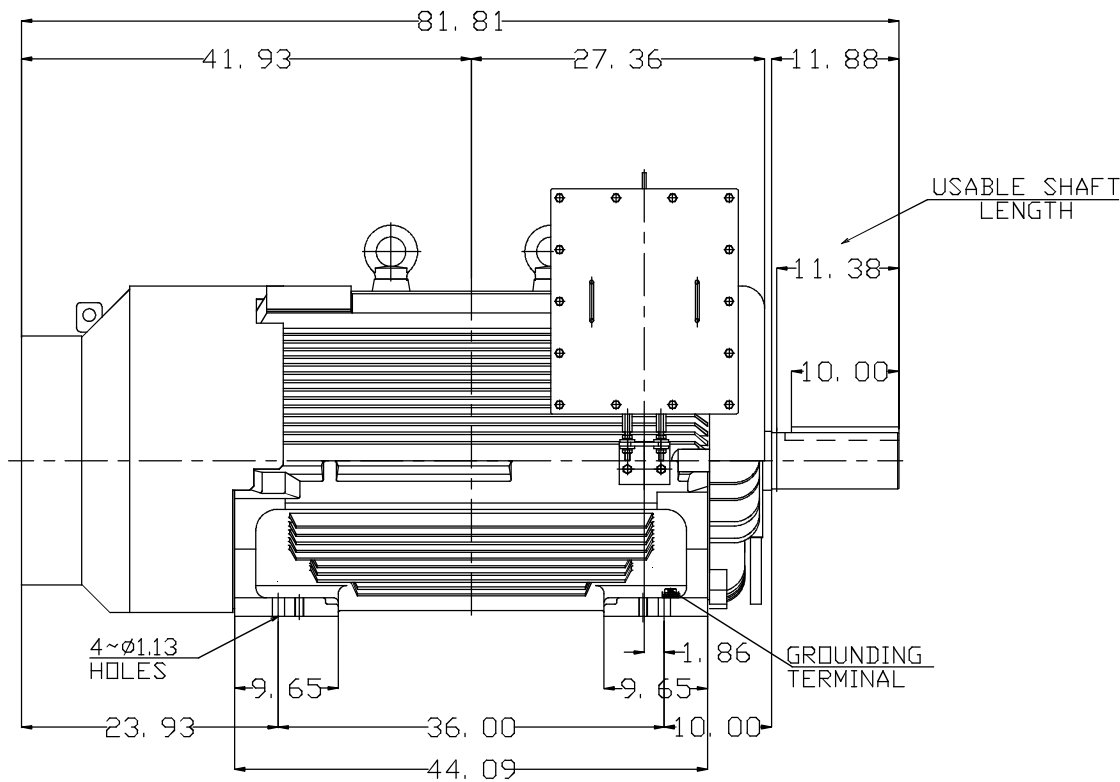
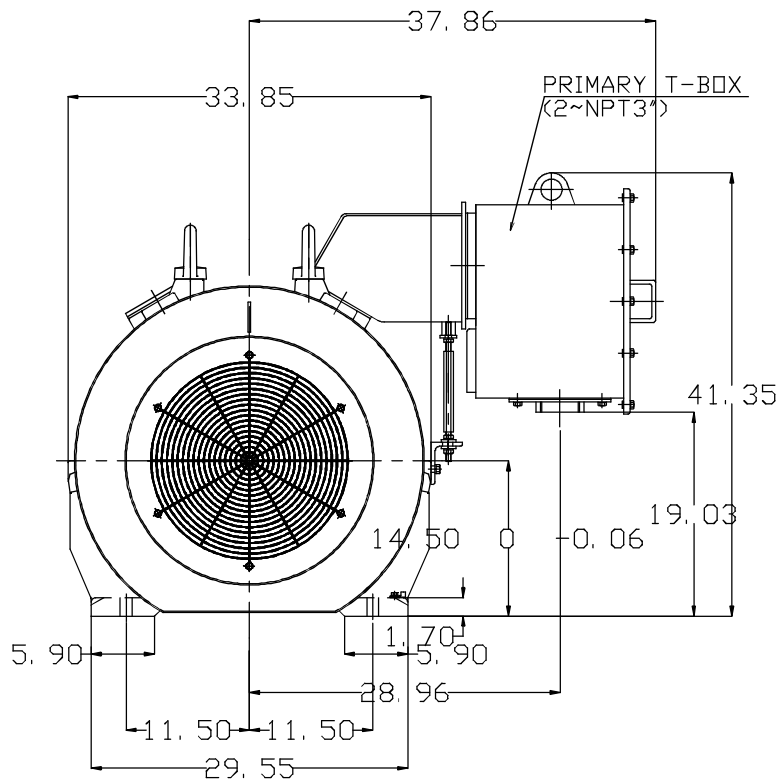


TYPE	OUTPUT		POLE	TIME RATING	VOLTAGE V	Hz	SYN.SPEED R.P.M
	HP.	kW.					
AEHE	700	522	6	CONT.	460	60	1200

TOTALLY ENCLOSED FAN-COOLED TYPE, SQUIRREL-CAGE ROTOR



- NOTE:
1. DIMENSIONS IN inch
  2. FRAME NO. 5810C
  3. F CLASS INSULATION, S.F.1.15
  4. FOR BELT DRIVE APPLICATIONS
  5. ENCLOSURE: IP55
  6. BEARING SIZE: DRIVE-END NU326C3  
OPP. DRIVE-END 6322
  7. MOTOR APPROX. WEIGHT: 6900 lb

DATE	OUTLINE DIMENSIONS	
CATALOG # E7006R	3-PHASE INDUCTION MOTOR	
TECO Westinghouse		DWG NO. REV:00
		4B040C044

DWN.	Y.DU	MAR-24-2014
CHKD.	W.CHENG	MAR-29-2014
APPD.	C.SHIH	MAR-29-2014