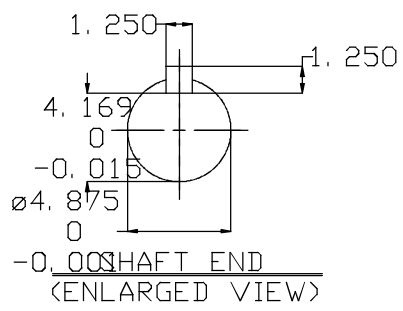
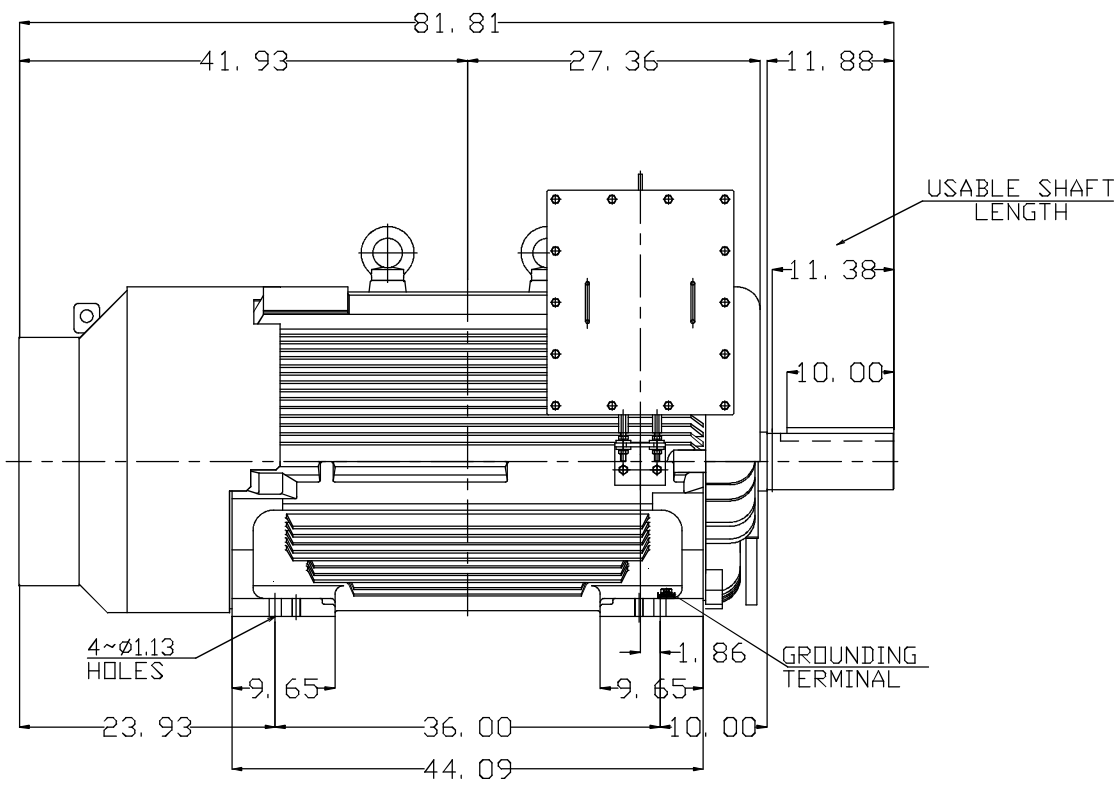
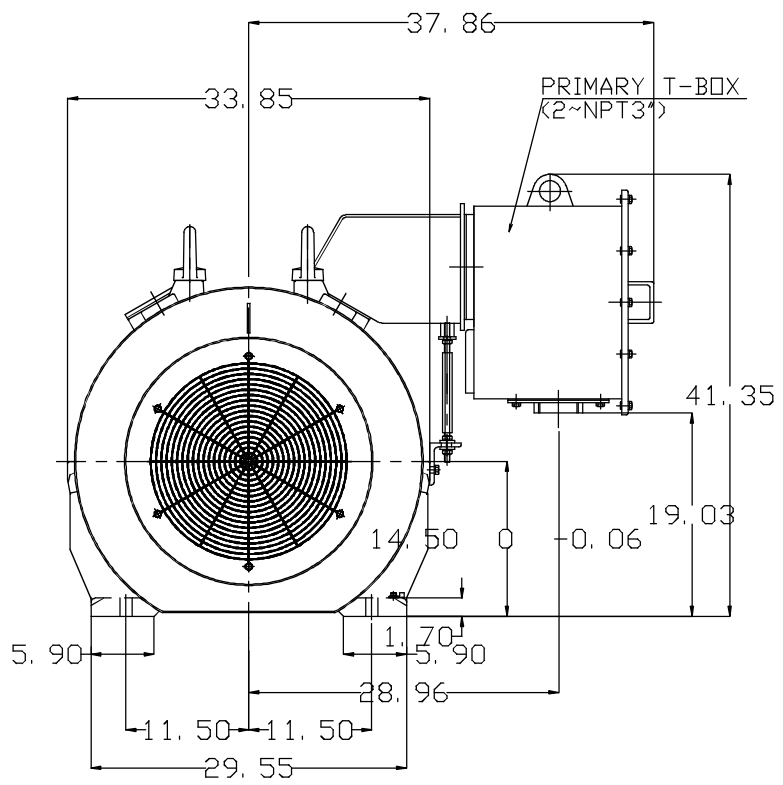


| TYPE | OUTPUT | | POLE | TIME RATING | VOLTAGE V | Hz | SYN.SPEED R.P.M |
|------|--------|-----|------|-------------|-----------|----|-----------------|
| | HP. | kW. | | | | | |
| AEHE | 700 | 522 | 8 | CONT. | 460 | 60 | 1200 |

TOTALLY ENCLOSED FAN-COOLED TYPE, SQUIRREL-CAGE ROTOR



- NOTE:
1. DIMENSIONS IN inch
 2. FRAME NO. 5810B
 3. F CLASS INSULATION, S.F.1.15
 4. FOR DIRECT FLEXIBLE COUPLING
 5. ENCLOSURE: IP55
 6. BEARING SIZE: DRIVE-END 6326
OPP. DRIVE-END 6322
 7. MOTOR APPROX. WEIGHT: 6900 lb

| | | |
|-------|---------|-------------|
| DWN. | Y.DU | MAR-24-2014 |
| CHKD. | W.CHENG | MAR-29-2014 |
| APPD. | C.SHIH | MAR-29-2014 |

| | |
|--------------------------|-------------------------|
| DATE | OUTLINE DIMENSIONS |
| CATALOG # E7006 | 3-PHASE INDUCTION MOTOR |
| TECO Westinghouse | |
| DWG NO. 4B040C043 | REV:00 |