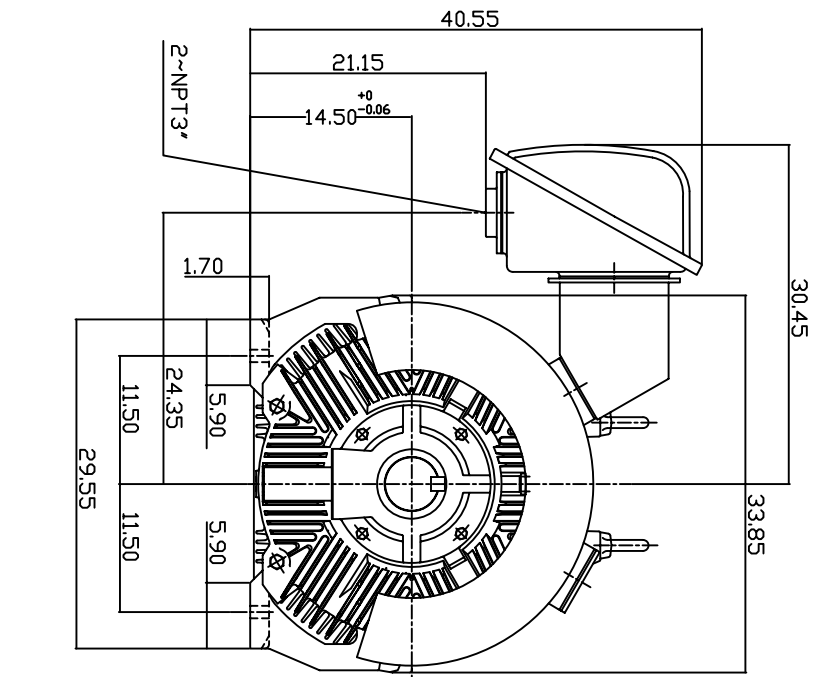
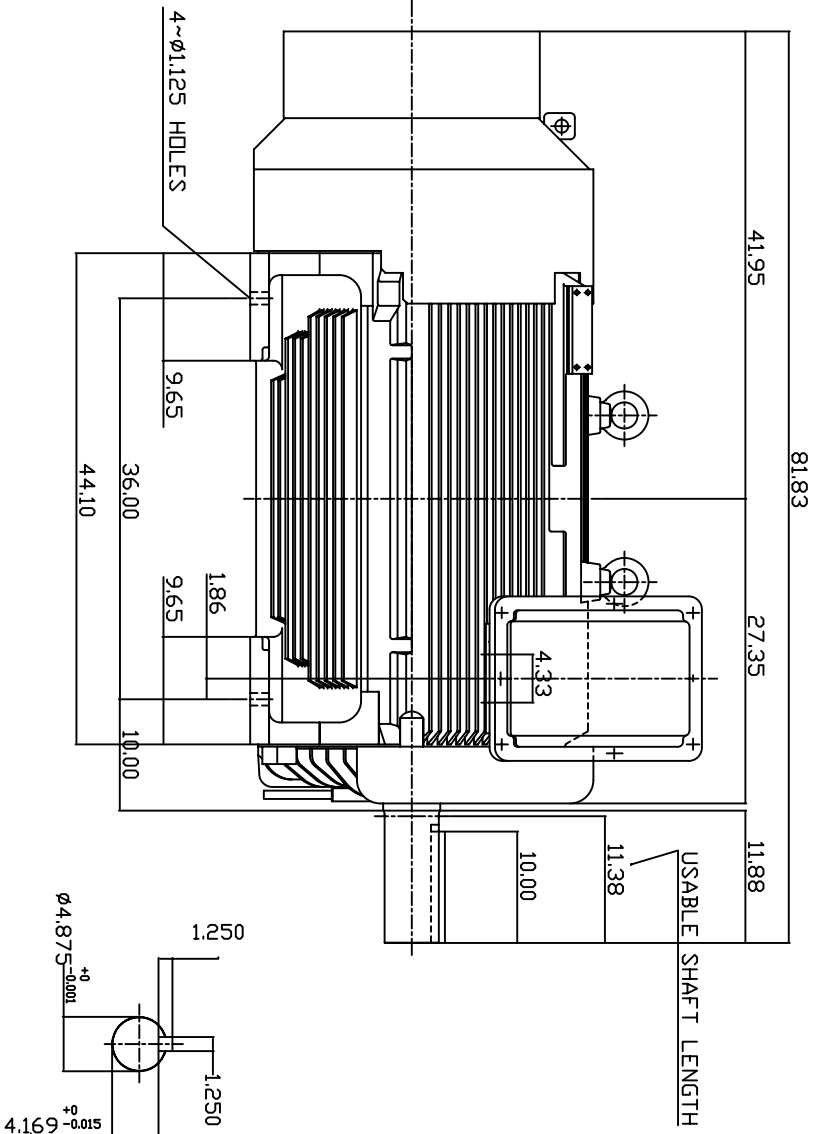


TYPE	OUTPUT		POLE	TIME RATING	VOLTAGE	Hz	SYN SPEED R.P.M
	HP.	KW.					
AEHE	700	522	6	CDNT.	380	50	1000

TOTALLY ENCLOSED FAN-COOLED TYPE, SQUIRREL-CAGE ROTOR



NOTE:

1. DIMENSIONS IN INCH.
2. FRAME NO. 5810B
3. F CLASS INSULATION, S.F.1.0
4. FOR DIRECT DRIVE APPLICATIONS
5. BEARING SIZE: DRIVE END: 6326 NON-DRIVE END: 6322
6. MOTOR APPROX. WEIGHT: 6900 LBS

TW-66C

DWN.	W.LLIN	MAR-04-2003
CHKD.	W.LLIN	MAR-04-2003
APPD.	C.WANG	MAR-04-2003

DATE	APRIL 26, 2004	OUTLINE DIMENSIONS
CATALOG NO.	E7006-50	
3-PHASE INDUCTION MOTOR		DWG NO. 3A040T186-2



REV: 00