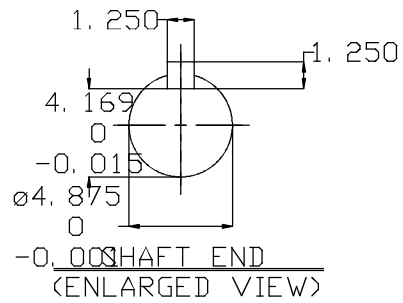
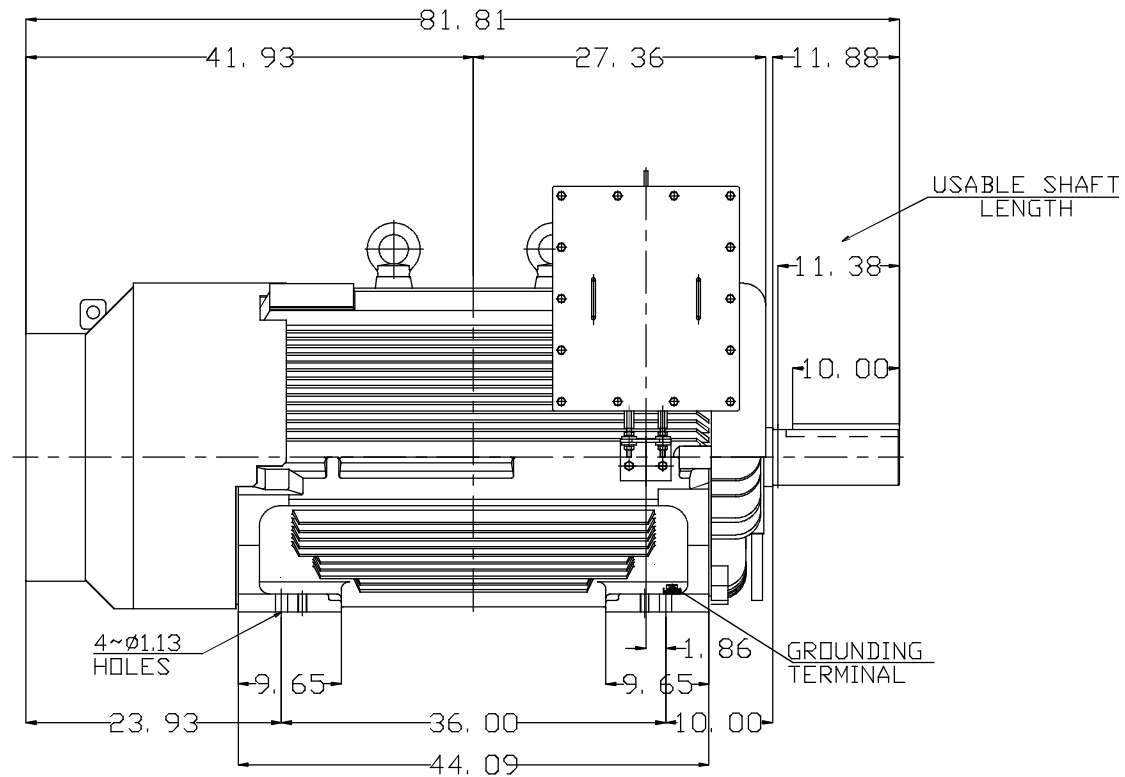
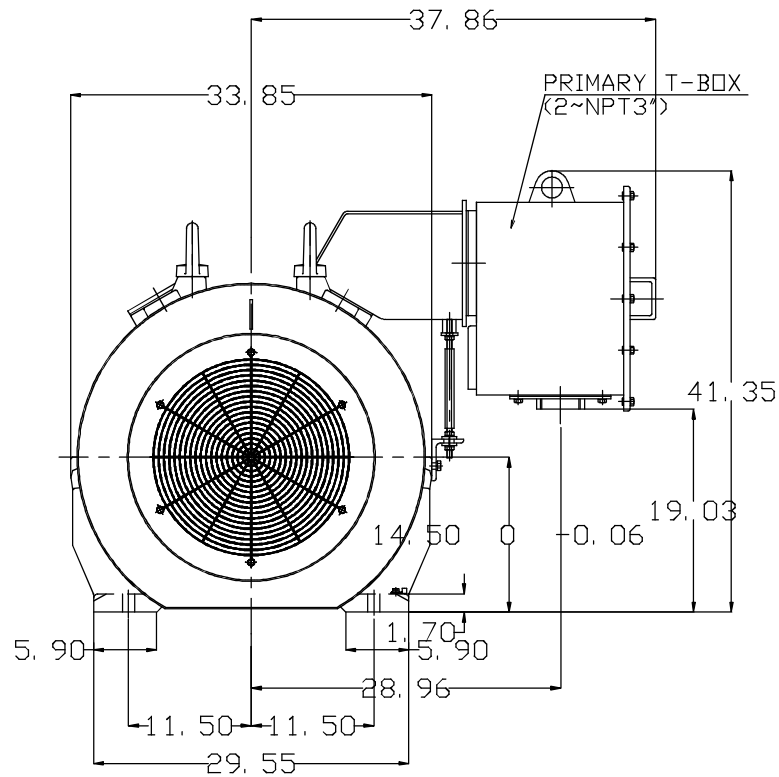


Downloaded from Dealers-Industrial Equipment Visit <https://DealersElectric.com> or call (908) 688-1966 for all of your Teeco needs.

TYPE	OUTPUT		POLE	TIME RATING	VOLTAGE V	Hz	SYN.SPEED R.P.M
	HP.	KW.					
AEHE	700	522	4	CONT.	460	60	1800

TOTALLY ENCLOSED FAN-COOLED TYPE, SQUIRREL-CAGE ROTOR



- NOTE:
- DIMENSIONS IN inch
 - FRAME NO. 5810C
 - F CLASS INSULATION, S.F.1.15
 - FOR BELT DRIVE APPLICATIONS
 - ENCLOSURE: IP55
 - BEARING SIZE: DRIVE-END NU326C3
OPP. DRIVE-END 6322
 - MOTOR APPROX. WEIGHT: 6800 lb

DATE	OUTLINE DIMENSIONS	
CATALOG # E7004R	3-PHASE INDUCTION MOTOR	
DWN. Y.DU MAR-24-2014	TECO Westinghouse	DWG NO. REV:00
CHKD. W.CHENG MAR-29-2014		4B040C044
APPD. C.SHIH MAR-29-2014		