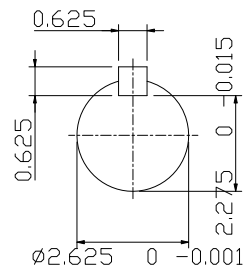
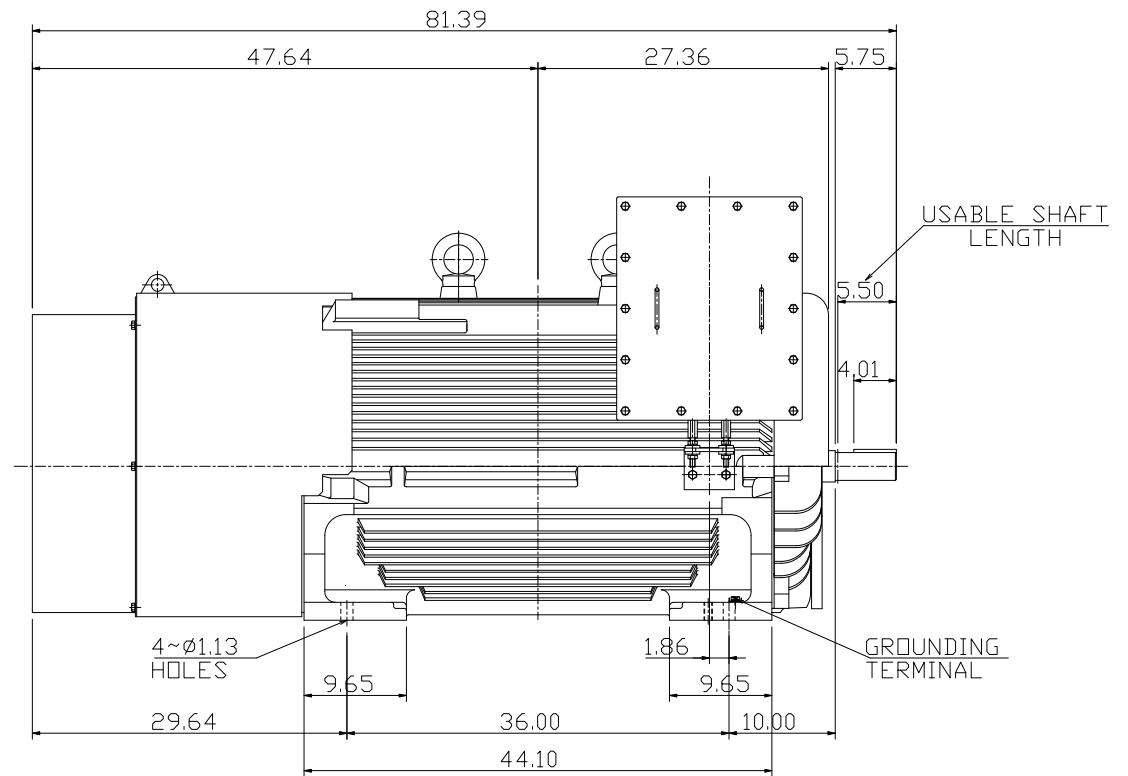
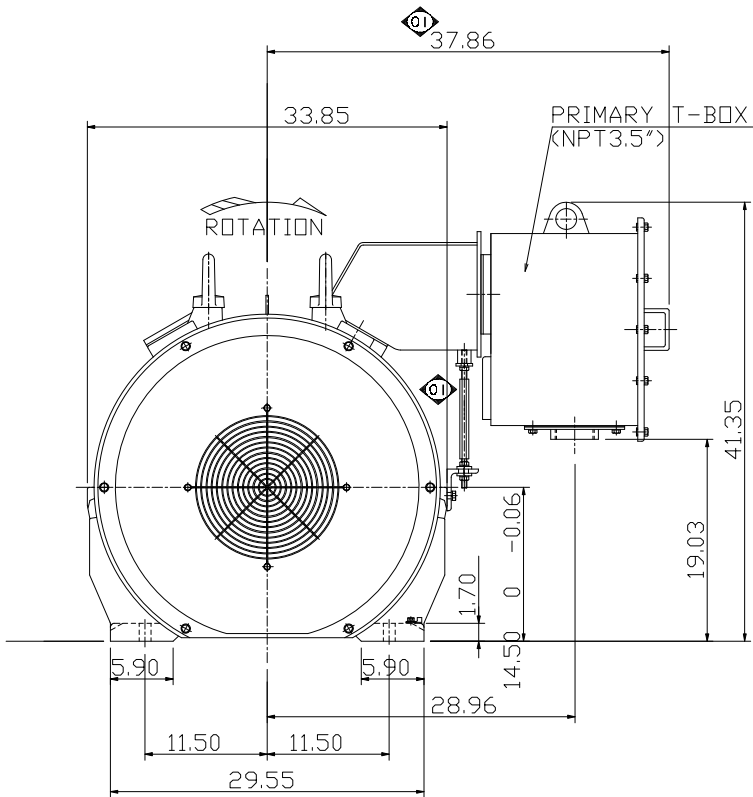


Downloaded from Dealers Industrial Equipment - visit <https://DealersElectric.com> or call (908) 688-1966 for all of your Teco needs!

TYPE	OUTPUT		POLE	TIME RATING	VOLTAGE V	Hz	SYN.SPEED R.P.M
	HP.	kW.					
AEHE	700	522	2	CONT.	460	60	3600

TOTALLY ENCLOSED FAN-COOLED TYPE, SQUIRREL-CAGE ROTOR



- NOTE:
1. DIMENSIONS IN INCH
  2. FRAME NO. 5810A
  3. F CLASS INSULATION, S.F.115
  4. FOR DIRECT FLEXIBLE COUPLING
  5. ENCLOSURE: IP55
  6. BEARING SIZE: DRIVE-END 6315C3  
OPP. DRIVE-END 6315C3M/C3 VLD241
  7. MOTOR APPROX. WEIGHT: 6600LBS

SHAFT END  
(ENLARGED VIEW)

DWN.	Y.DU	AUG. 30. 2011
CHKD.	H.HUANG	AUG. 30. 2011
APPD.	B.LIN	AUG. 30. 2011

DATE	March 12, 2015
Catalog #	E7002

OUTLINE DIMENSIONS  
3-PHASE INDUCTION MOTOR

TECO Westinghouse

DWG NO. REV: 01  
4A040G951