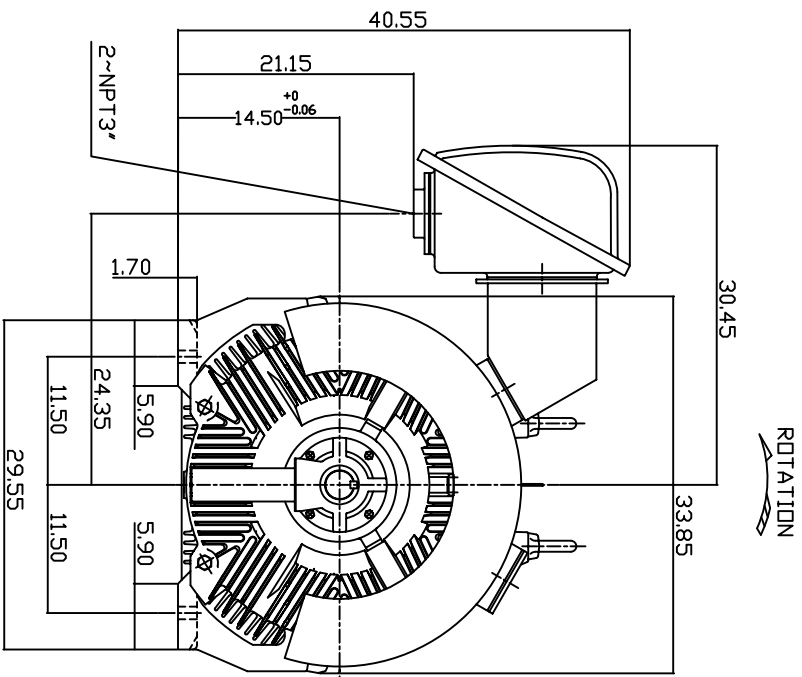
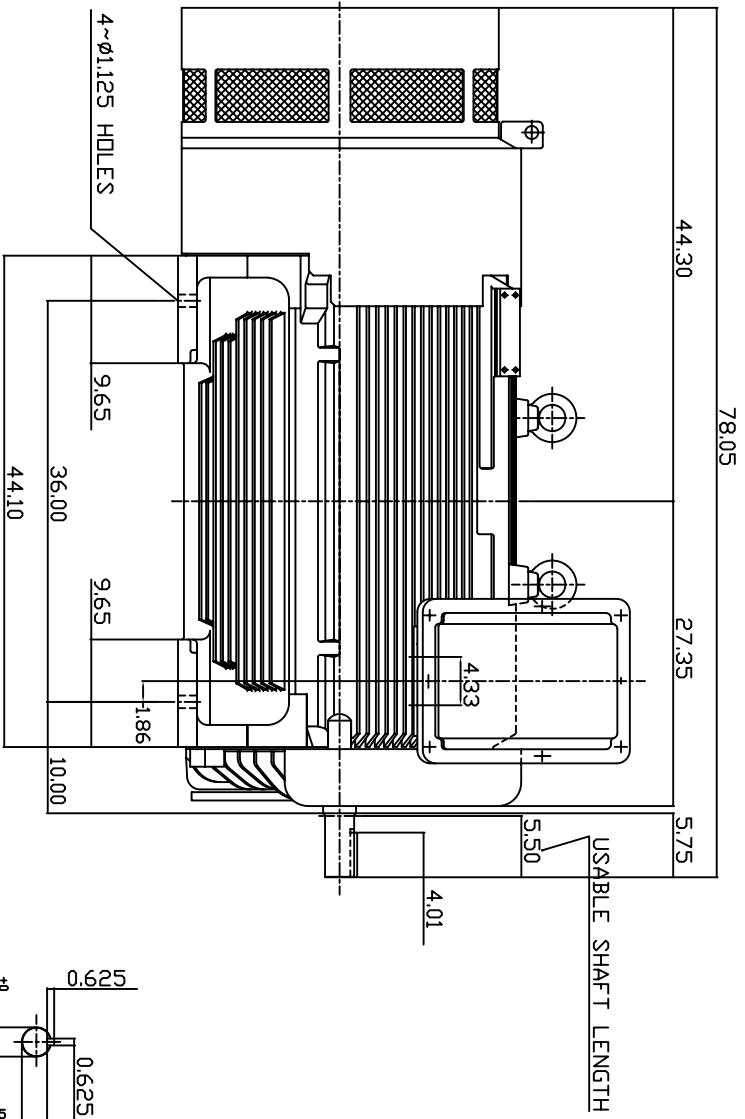


TYPE	OUTPUT		POLE	TIME RATING	VOLTAGE	Hz	SYN SPEED R.P.M
	HP.	KW.					
AEHE	700	522	2	CDNT.	380	50	3000

TOTALLY ENCLOSED FAN-COOLED TYPE. SQUIRREL-CAGE ROTOR



NOTE:

1. DIMENSIONS IN INCH
2. FRAME NO. 5810A
3. F CLASS INSULATION, S.F.10
4. FDR DIRECT FLEXIBLE COUPLING
5. BEARING SIZE: DRIVE END: 6315C3  
NON-DRIVE END: 6315M/C3 VL024
6. MOTOR APPROX. WEIGHT: 6600 LBS

TW-66C

DVN.	W.LLIN	MAR-04-2003
CHKD.	W.LLIN	MAR-04-2003
APPD.	C.WANG	MAR-04-2003

DATE	APRIL 23, 2004	OUTLINE DIMENSIONS
CATALOG NO.	E7002-50	3-PHASE INDUCTION MOTOR



DWG NO. 3A040T185-1  
REV: 00