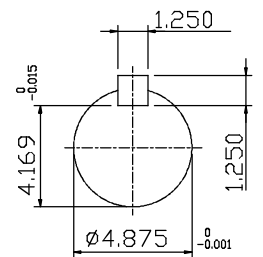
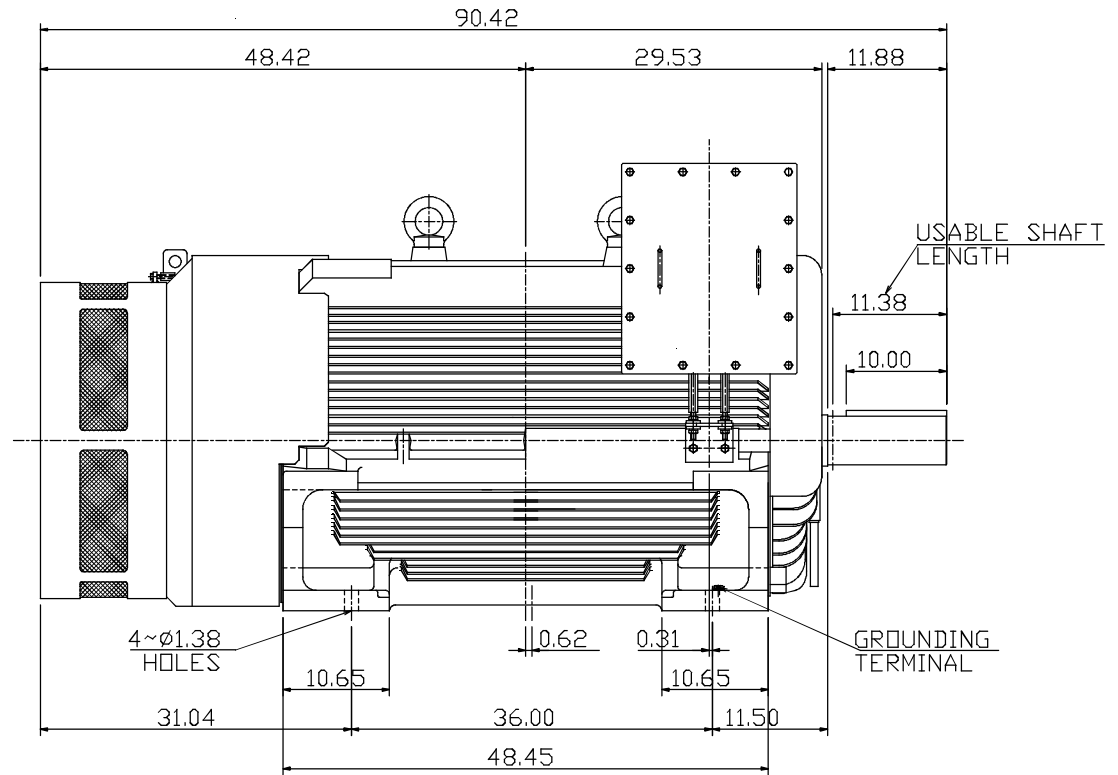
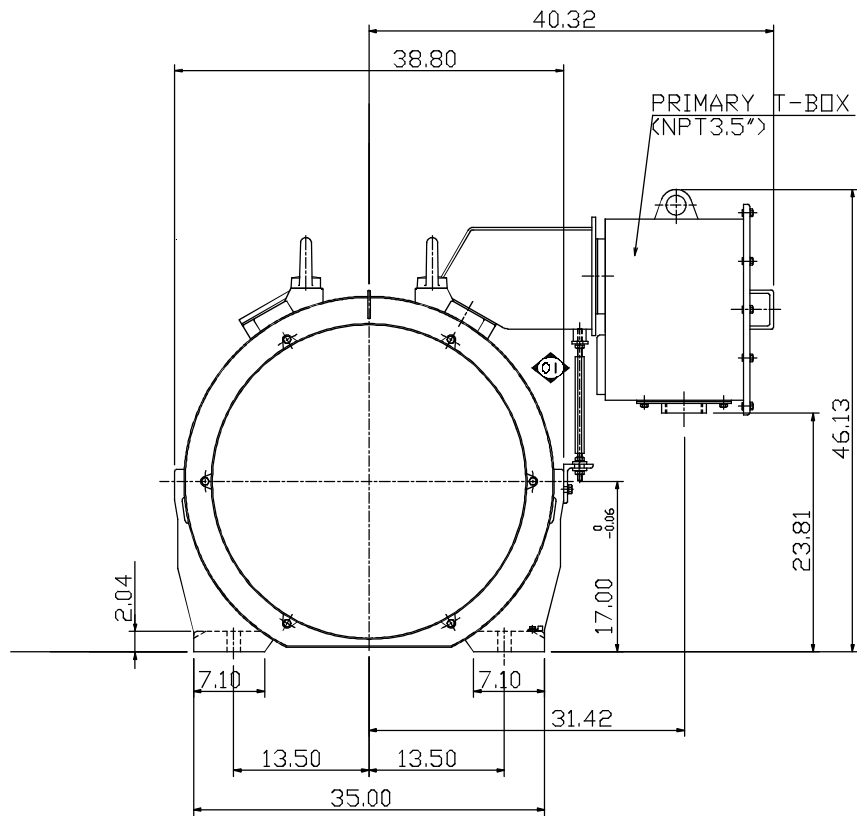


TYPE	OUTPUT		POLE	TIME RATING	VOLTAGE V	Hz	SYN.SPEED R.P.M
	HP.	KW.					
AEHE	600	448	8	CONT.	460	60	900

TOTALLY ENCLOSED FAN-COOLED TYPE, SQUIRREL-CAGE ROTOR



- NOTE:
1. DIMENSIONS IN INCH
 2. FRAME NO. 6808C
 3. F CLASS INSULATION, S.F.1.15
 4. FOR BELT DRIVE APPLICATIONS
 5. ENCLOSURE: IP55
 6. BEARING SIZE: DRIVE-END NU326
OPP. DRIVE-END 6322
 7. MOTOR APPROX. WEIGHT: 8050LBS

SHAFT END (ENLARGED VIEW)

DATE	OUTLINE DIMENSIONS	
CATALOG # E6008R	3-PHASE INDUCTION MOTOR	
DWN. Y.DU CHKD. H.HUANG APPD. B.LIN	AUG-29-2011 AUG-29-2011 AUG-29-2011	DWG NO. 4A040G955 REV: 01

