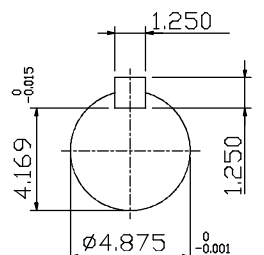
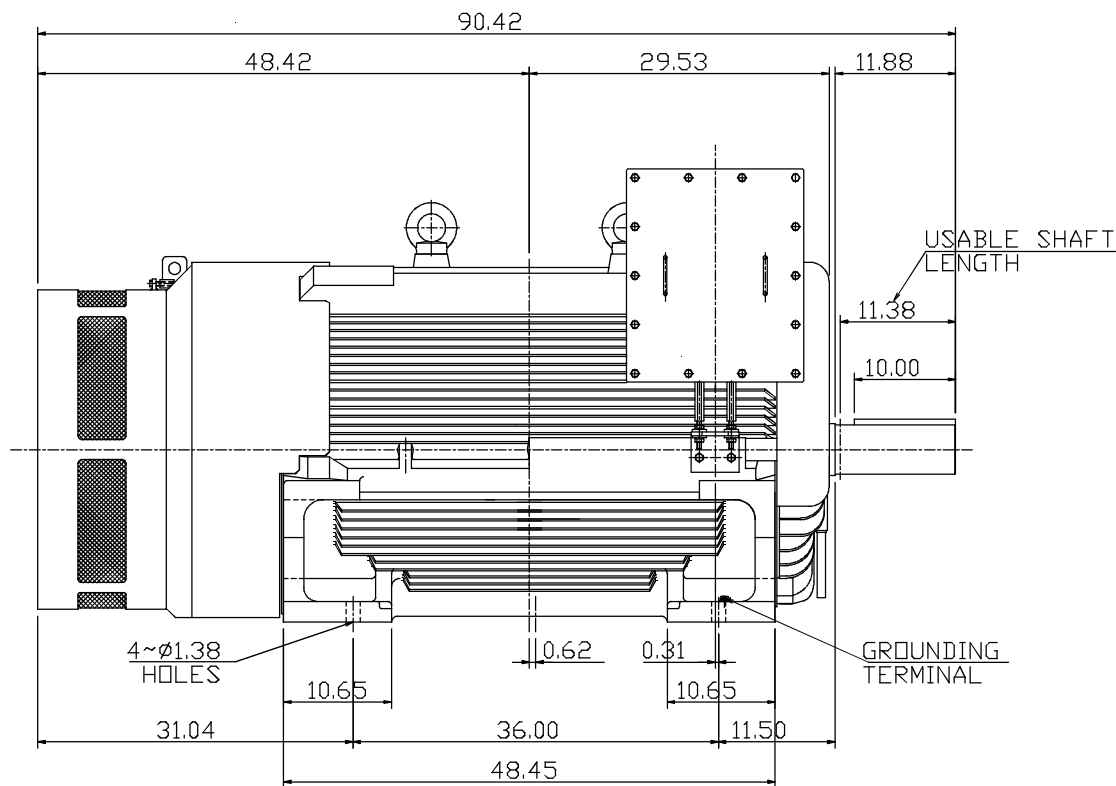
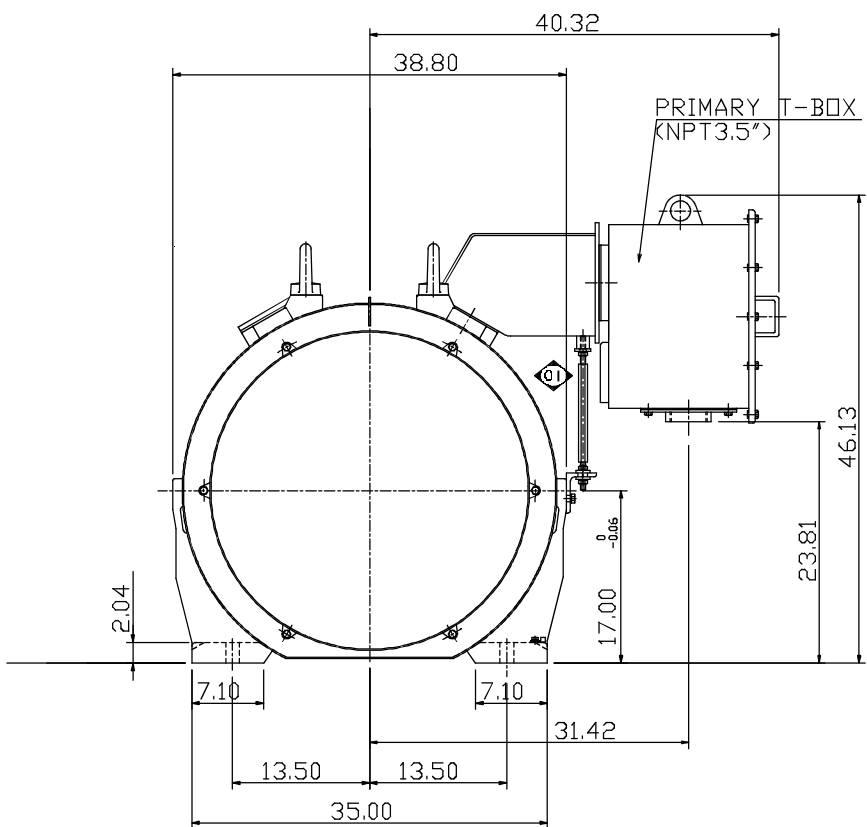


TYPE	OUTPUT		POLE	TIME RATING	VOLTAGE V	Hz	SYN.SPEED R.P.M
	HP.	kw.					
AEHE	600	448	8	CONT.	460	60	900

TOTALLY ENCLOSED FAN-COOLED TYPE, SQUIRREL-CAGE ROTOR



SHAFT END  
(ENLARGED VIEW)

NOTE:

1. DIMENSIONS IN INCH
2. FRAME NO. 6808B
3. F CLASS INSULATION, S.F.115
4. FOR DIRECT FLEXIBLE COUPLING
5. ENCLOSURE: IP55
6. BEARING SIZE: DRIVE-END 6326  
OPP. DRIVE-END 6322
7. MOTOR APPROX. WEIGHT: 8050LBS

DATE		OUTLINE DIMENSIONS	
CATALOG # E6008		3-PHASE INDUCTION MOTOR	
DWN.	Y.DU	AUG-29-2011	TECO Westinghouse
CHKD.	H.HUANG	AUG-29-2011	
APPD.	B.LIN	AUG-29-2011	
DWG NO.		REV: 01	
4A040G955			