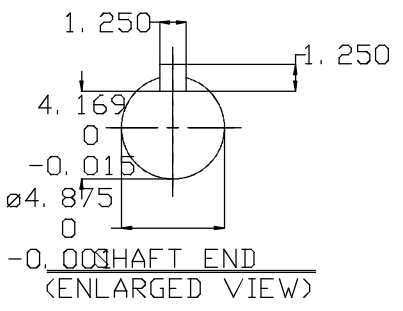
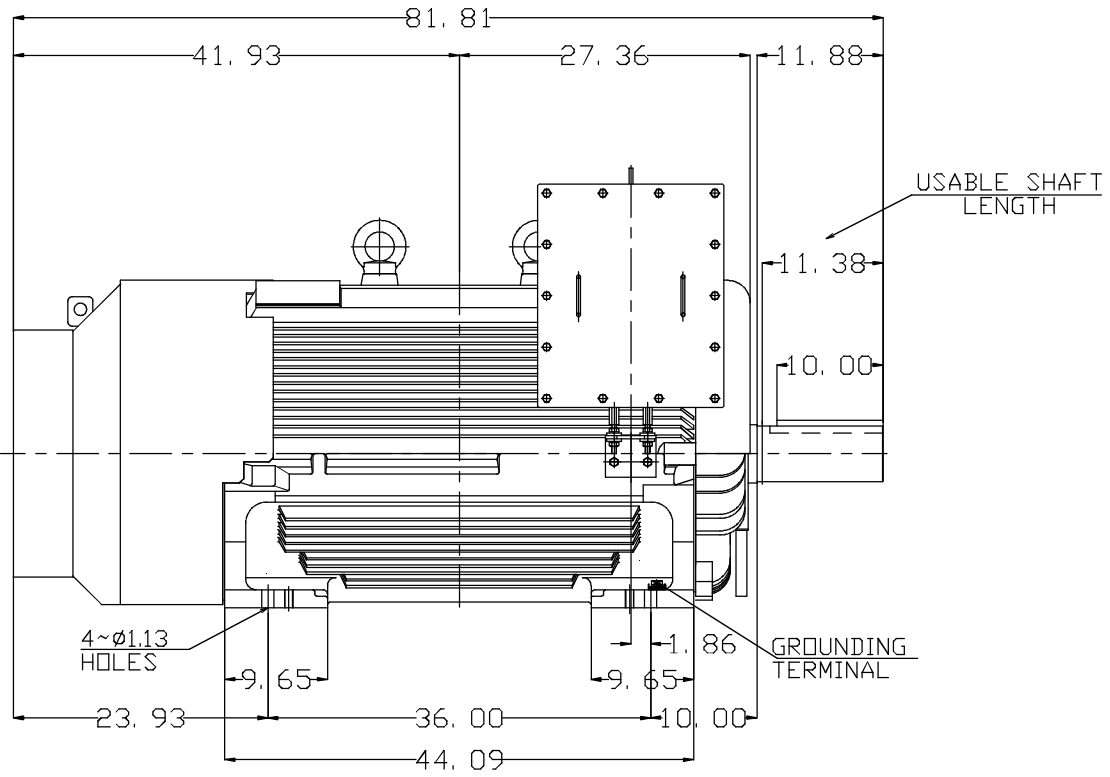
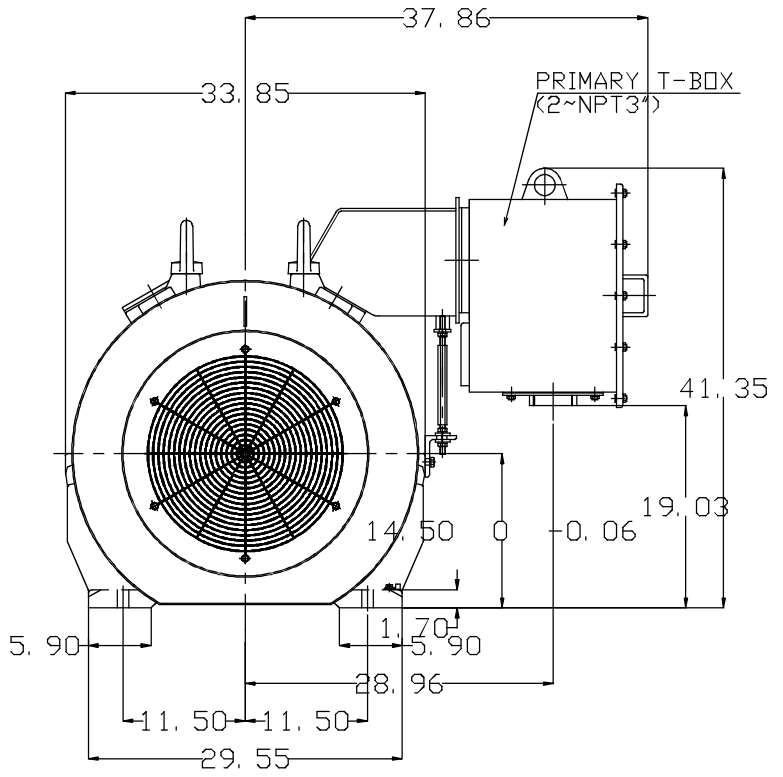


Downloaded from Dealers Industrial Equipment - Visit <http://www.dealersindustrial.com> or call (908) 688-1966 for all of your Teco needs.

6 | 5 | 4 | 3 | 2 | 1

TYPE	OUTPUT		POLE	TIME RATING	VOLTAGE V	Hz	SYN.SPEED R.P.M
	HP.	kW.					
AEHE	600	448	6	CONT.	460	60	1200

TOTALLY ENCLOSED FAN-COOLED TYPE, SQUIRREL-CAGE ROTOR



- NOTE:
1. DIMENSIONS IN inch
 2. FRAME NO. 5810B
 3. F CLASS INSULATION, S.F.115
 4. FOR DIRECT FLEXIBLE COUPLING
 5. ENCLOSURE: IP55
 6. BEARING SIZE: DRIVE-END 6326
OPP. DRIVE-END 6322
 7. MOTOR APPROX. WEIGHT: 6400 lb

DWN.	Y.DU	MAR·24·2014
CHKD.	W.CHENG	MAR·29·2014
APPD.	C.SHIH	MAR·29·2014

DATE	05/24/2017	OUTLINE DIMENSIONS	
CATALOG #	E6006	3-PHASE INDUCTION MOTOR	
TECO Westinghouse		DWG NO.	REV:00
		4B040C043	